

ProComponent

PCA 450

4 x 50W RMS

4/3/2 Channel Amplifier



PCA Bridgeable Amplifier
Amplificateur PCA compatible
Amplificador Tipo PCA con Puente
Amplificador Em Ponte PCA

www.BlaupunktUSA.com

● BLAUPUNKT

BLAUPUNKT SPECIFICATIONS - PCA 450 4/3/2 CHANNEL AMPLIFIER

Below is a basic trouble-shooting guide to assist in seeking out and correcting a problem that may occur in the installation process. Although lengthy, this chart cannot address every single problem possible but mainly the ones most common.

PARAMETER/FEATURE	PCA 450
Channels	4/3/2
Size (W x H x D)	9.2x2.0x12.9 inches (234x51x328mm)
Weight (with housing)	5.0 lbs (2.27 kg)
Spade screw speaker terminals?	YES
Maximum terminal wire size	14 ga.
Subsonic filter	YES (10 Hz)
Separate front/rear or left/right gains?	F/R YES, L/R NO
Fuse Type	ATC spade -Two 25 A
Speaker short, short to +12V, and short to ground protection?	YES
High, low, and reverse voltage protection?	YES
Power output transistors	BTL
Switching power supply transistors	BTL
Minimum speaker impedance (non-bridged)	2 ohms
(bridged)	4 ohms
PERFORMANCE DATA	
Rated power output @ 0.1% THD, 14.4V	
4 channels into 4 ohms / 2 ohms (watts rms)	4 x 50 W / 4 x 75 W
2 channels into 4 ohms (watts rms)	2 x 150 W
Total Harmonic Distortion @ rated full output	0.1% THD
Rated Signal/Noise ratio (averaged value)	
Measured @ 1 watt / 1 kHz dBA	85
Measured @ full rated power (0.1% THD) dBA	>100
Damping factor	>100
Frequency response (full-range mode)	20 - 30,000 Hz
High-pass crossover frequency limits	50 Hz - 250 Hz (variable), 12dB/oct
Low-pass crossover frequency limits	50 Hz - 250 Hz (variable), 12dB/oct
Input impedance	10 kohms
Input signal voltage control range	0.3 - 6.0 vrms
Current Draw @ 13.8 VDC (typical values @ X watts / Efficiency %)	
@ full rated power, unbridged (@ 4 ohms)	27 A (50%)
@ 33% rated power, unbridged (@ 4 ohms)	16 A (30%)
@ idle (@ 4 ohms)	1.5 A
Minimum battery voltage to maintain rated power	12.6 VDC
Usable battery voltage	10 - 16 VDC
Trigger line voltage range	10 - 16 VDC
Trigger line current draw	<10 mA
Turn on delay time	@ 2.0 seconds
Thermal shutoff temperature (average heat-sink temp)	@ 85° C (185° F)

NOTE: DUE TO ONGOING PRODUCT IMPROVEMENTS, DESIGN AND SPECIFICATIONS ARE SUBJECT TO CHANGE WITHOUT ADVANCED NOTICE TO THE CONSUMER OR RETAILER.

TABLE OF CONTENTS

Key features	.2
Safety Concerns & installation warnings	.3
System planning	.4
Installation tools	.4
Vehicle wiring	.5
Connections & controls	.6-7
System configurations 1 & 2	.8
System configurations 3 & 4	.9
Troubleshooting chart	.10
Warranty information	.11
Blaupunkt technical support	.11
Assembly & Mounting	.Back Cover

TABLE DES MATIÈRES

Caractéristiques principales	.12
Consignes de sécurité et avertissements relatifs à l' installation	.13
Planification du système	.14
Outils d'installation	.14
Câblage du véhicule	.15
Connexions & Commandes	.16-17
Configuration des systèmes 1 et 2	.18
Configuration des systèmes 3 et 4	.19
Tableau de dépannage	.20
Garantie	.21
Assistance technique de Blaupunkt	.21
Assemblage & Montage	.Couverture de dos

INDICE

Características principales	.22
Consideraciones de seguridad y precauciones en la instalación	.23
Planificación del sistema	.24
Herramientas de instalación	.24
Alambrado del vehículo	.25
Conexiones y Controles	.26-27
Configuración de los sistemas 1 y 2	.28
Configuración de los sistemas 3 y 4	.29
Cuadro de solución de problemas	.30
Información de garantía	.31
Apoyo técnico de Blaupunkt	.31
Armadura y Montaje	.Portada Trasera

ÍNDICE DAS MATÉRIAS

Características-chave	.32
Medidas de Segurança e advertências para a instalação	.33
Planejamento do sistema	.34
Ferramentas para a instalação	.34
Fiação do veículo	.35
Conexões e controles	.36-37
Configurações 1 e 2 do sistema	.38
Configurações 3 e 4 do sistema	.39
Quadro para solução de problemas	.40
Informações sobre a garantia	.41
Assistência técnica da Blaupunkt	.41
Montagem e instalação	.Tampa preta

THANK YOU FOR CHOOSING BLAUPUNKT!

Congratulations! You are now the owner of an exceptional car audio amplifier from the audio enthusiasts at Blaupunkt. Our engineering staff has spent considerable time refining our PCA series amplifiers in order to introduce great sound to the consumer at an affordable price. With these products we focus on sonic performance but balanced with rugged design and flexible installation.

Not only do we offer you a great product but also a supportive owners manual. This manual can be used as a teaching guide due to its brief, but informative, explanations of amplifier and system design. We are also very concerned about the end consumer using proper installation techniques for the highest performance possible from their new audio products. MOST important to us are the concerns with safety and the installation process. Since our Blaupunkt retail dealers have the tools and experience for an optimized and safe installation, we always recommend they do the final vehicle integration. But, should you choose to install these products yourself, please take the time to read this manual completely and abide by all precautions.

PCA AMPLIFIER BENEFITS & FEATURES

There is a constant push for entry level amps to “play with the big dogs” yet for a low price point. Rarely are they able to do so.... until now.

Rock solid Class AB designs ensure “in your face” sound with little fear for reliability or performance. The rugged designs of the PCA amp line, and their remarkable input frequency and gain setting flexibility, enable nearly any system configuration. Fat power and speaker leads make sure all that power going in comes out the best sound possible.

Should something go wrong in the installation, have no fear. Protection for output short circuits and short to grounds or 12 volts are all covered and a safety “Protect” light lets you know. Peace of mind, and big power, at low price points...look no further.

- Real, RMS watts. No need for “bogus” watts. This is the real stuff in a great amp so there is no need to exaggerate - it does what it says.
- Reinforced Class AB designs with reinforced output stages ensure solid performance and reliability.
- Big heat sinks to ensure adequate heat dissipation regardless of the load (they look cool too).
- Monster size, gold plated power and speaker terminals for reliable, low resistance connections.
- Protection LED for notification should the unit shut down due to installation problems.
- Wide range input voltages of 0.3-6.0Vrms.
- Continuously variable crossover frequency settings.
- 2 ohm output stable (unbridged mode)



SAFETY CONCERNS

We always recommend you have your Blaupunkt amplifiers professionally installed but the installation process is often so easy that the average consumer can achieve success with little trouble. Regardless of the person installing, you should be sure to review the following points before proceeding with the installation:

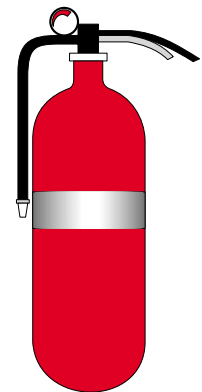
- **READ THE MANUAL!** Understanding the product and installation limitations before lifting a screwdriver.
- **WEAR SAFETY GLASSES AT ALL TIMES** - Flying debris are always dangerous.
- **PROTECT THE VEHICLE** - Always disconnect the negative battery cable before starting any kind of installation work. This prevents a possible high current electrical short (potential fires).
- **HEAT** - Keep all audio components away from nearby hot vehicle components that heat up over time such as hoses, high current wires, and braking system components.
- **GIVE YOURSELF LOTS OF TIME** - Rushing to complete an installation nearly always ends up with problems.
- **DO NOT LISTEN AT HIGH SOUND LEVELS FOR A PROLONGED TIME** - these amplifiers, used with high efficiency speakers from ANY manufacturer, have the potential to cause permanent hearing loss after listening at maximum volume levels for several hours.



INSTALLATION WARNINGS!

Before disassembling your beautiful new car you need some basic installation knowledge and skill with common hand and power tools. Following such basic installation tips and warnings will prevent possible damage to the vehicle and also prevent possible fires.

- **AGAIN...READ THE MANUAL!** There is a lot of helpful information in this manual that will save time and prevent problems later.
- **COVER THE VEHICLE WORK AREAS** - Use fender covers or blankets to protect the work areas from scratches or dings.
- **DISCONNECT THE (-) LEAD ON THE BATTERY** - No sparks or fires please!
- **“REVIEW” THE INSTALLATION** - Before using any tools or moving vehicle components, take five minutes to review the installation intentions (e.g., verify that an amplifier will fit in an area of a car before tearing out all the interior).
- **“REVIEW” THE VEHICLE** - Before drilling any holes or cutting into any surfaces, make sure there are no fuel or hydraulic lines behind the surfaces. Also make sure there are no wires routed directly behind or near the desired mounting area (remember...screws can often extend 1-2 inches behind the mounting surface).
- **ENSURE PROPER FIT** - Before cutting or drilling, make sure the amplifier will physically fit in its desired location. Check for clearance around rear deck torsion bars or other structural elements.
- **EVERY CAR IS ASSEMBLED DIFFERENT** - Every auto manufacturer uses different assembly techniques. Take care in removing/modifying all trim panels and mounting surfaces since they often use unique screws or snap fasteners that are difficult to replace if they are lost or broken.
- **BE CAREFUL WITH CABLE ROUTING** - When routing audio cables, make sure RCA and speaker wires are routed away from high current power lines for audio amplifiers and vehicle systems lines when possible. This will help prevent noises from creeping into the audio system, plus prevent potential damage to the vehicle wiring itself.
- **BE CAREFUL WITH ALL CONNECTIONS** - When making connections, make sure each connection is clean and properly secured. Observe all polarity markings carefully to ensure proper end performance.
- **CAUTION - FUEL TANKS AND FUEL LINES ARE NOW LOCATED DIRECTLY BENEATH THE REAR DECK IN MANY CARS - CHECK FOR ADEQUATE CLEARANCE BEFORE EVEN CONSIDERING SUCH A MOUNTING LOCATION!**

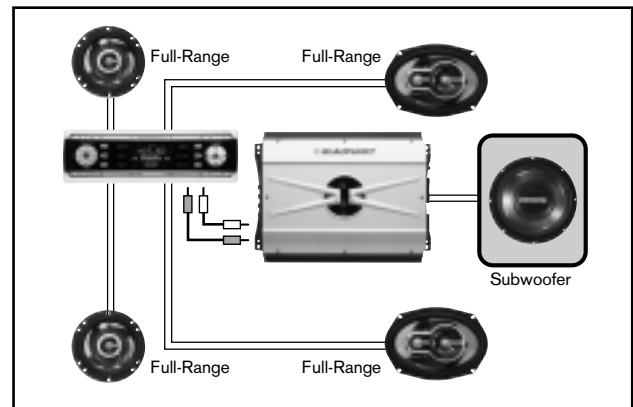


SYSTEM PLANNING

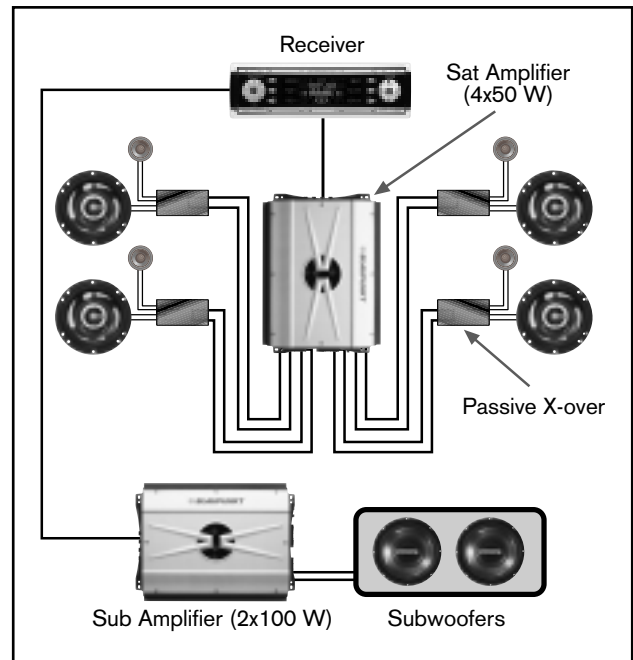
Before wiring up an audio system that may not achieve the sound quality you want, be sure to choose a system concept that fits your listening requirements. Basic systems, a receiver with internal 4x20 watts and 4 coax speakers, are adequate for many listeners. But, when you want to really “feel” the music, you will need some kind of subwoofer amplifier/speaker combination. Although many people might jump into an “add-on” amplifier to power to rear coaxial speakers, a better choice is usually a subwoofer amp/speaker system that supplements the existing 4 speaker system as shown in the adjacent drawing. Such a system provides a surprising improvement in sound quality due to the usually dramatic increase in bass response.

The next dramatic step up in performance is with a “multi-channel” system that offers more dynamic range in the mids and highs due to higher power plus more bass response due to multiple woofers and/or more power. But, with such a system, the stereo image and overall listening experience usually becomes much more life-like due to better tonal quality midrange/tweeter speakers and usually better placement.

To build such a system though, complexity goes up due to the addition of passive or active crossovers which take time to install and may inject noise into the system due to potential noise signal pick up. The results though of such a system can be dramatically pleasing.



Supplementary subwoofer system

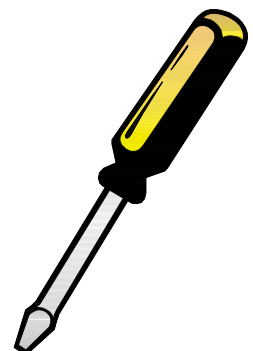


High performance multi-channel system

INSTALLATION TOOLS

For most installations, simple hand tools are adequate to install an aftermarket amplifier. Depending upon the mounting locations used, you will need power tools for drilling and cutting plastics and metal. A good starting list is summarized below:

- Tape measure and ruler
- Marking pen and starting punch
- Phillips and flat blade screwdrivers (small and medium sizes)
- Nylon wire bundle ties
- Pliers: standard vice-grip and needle nose styles
- Light-duty trim pry-bar for removing door trim
- Cutting shears or nibbling tool for cutting thin and medium gauger metal
- Wire cutters, wire strippers, electrical tape, crimping pliers and appropriate crimp-on terminals
- Power drill with appropriate sized drill bits



VEHICLE WIRING

VEHICLE FUSING

For safety purposes, a high current fuse (or circuit breaker) **MUST** be installed in line with the amplifiers(s) immediately at the battery to prevent vehicle damage should the battery line in advertently shorted to the vehicle chassis. The chart at the right shows the recommended master fuse sizes for an average audio system with noted "rms" output power levels.

SYSTEM FUSE CHART (Fuse size for total amplifier system power in "rms" watts)				
	100 W	200 W	500 W	1000 W
Fuse Size (in amps)	20 A	30 A	50 A	100 A

POWER WIRING

Most vehicles built since 1990 have adequate current capability for your amplifier. Except for systems above about 500 W rms, the factory charging system and battery should easily support it if properly installed. Proper wire size must be chosen to ensure adequate current delivery to the amp. Wire size (gauge) of the cables need to increase in size for higher power systems. (Wire sizes larger than those noted are usually a waste of time and money since they offer little or no performance improvements.)

Wire diameter must increase (decreased wire gauge number) for higher power systems. For long wire runs the wire diameter must also increase. The wire sizes noted allow for a maximum 0.5 volts DC drop over the give wire run which results in Sound Pressure Level drops inaudible to the average listener.

SYSTEM POWER AND GROUND WIRE CHART (Wire gauge for total system in 'rms' watts)				
WIRE LENGTH	100 W	200 W	500 W	1000 W
5 ft. / 1.5 m	12	10	8	4
10 ft. / 3.0 m	12	10	8	4
15 ft. / 4.5 m	10	8	6	2
20 ft. / 6.0 m	10	8	6	2
25 ft. / 7.5 m	10	8	4	0 or 00

SPEAKER WIRING

As with power wire, speaker wire size (gauge) changes with the power required and the length of the wire run. The speaker wire chart shows the minimum recommended wire size for a single audio output channel driving a loudspeaker at a given distance with a maximum power loss of 0.5 dB, the threshold of audibility. (Wire sizes larger than those noted are usually a waste of time and money since they offer little or no performance improvements.)

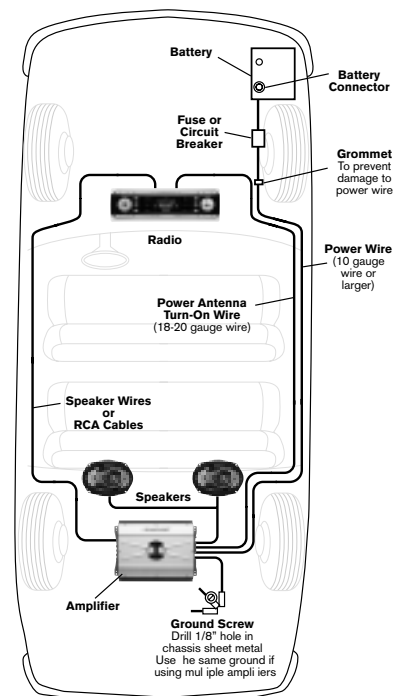
LOUDSPEAKER WIRE CHART (Wire gauge per loudspeaker/speaker power in "rms" watts)				
WIRE LENGTH	20 W	50 W	100 W	200 W
5 ft. / 1.5 m	18	16	16	16
10 ft. / 3.0 m	18	16	16	16
15 ft. / 4.5 m	16	16	16	14
20 ft. / 6.0 m	16	16	16	14
25 ft. / 7.5 m	16	16	14	12

FINAL VEHICLE WIRING

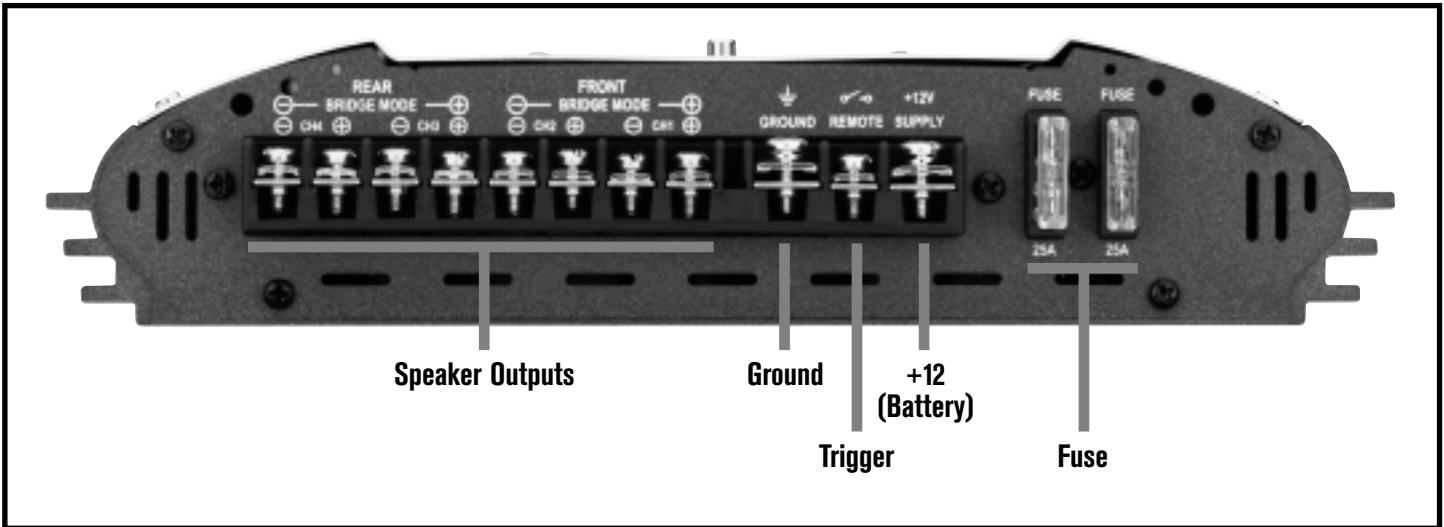
Current requirements for an upgraded audio system dictate a dedicated power line be run from the amplifier directly to the battery of the vehicle. This line should **NOT** be run to the fuse panel of the vehicle but directly to the battery. **DO NOT** run to the alternator either. There **MUST** be a fuse installed at the battery with adequate amperage as shown in the chart above.

As for the final signal wiring, be sure to route the audio cables down the side of the car opposite the power lines to avoid noise pick up from the lines. Also, try to route all audio cables away from noise sources such as engine computers and ABS brake computers.

Proper power grounding is important to insure adequate current flow. Be sure to grind the surface clean of all paint to ensure a solid electrical connection.



CONNECTIONS & CONTROLS



POWER CONNECTIONS:

GROUND - This is the high current ground connection to the chassis of the car. It should be fastened to a clean ground connection in the vehicle, capable of handling high current loads. This wire should be no longer than 3 feet (1 meter)

+12v - A high current line run direct from the batter is highly recommended to insure adequate current and voltage. This line **MUST** be run through a dedicated fuse of some kind and this fuse should be located immediately next to the power source. This in-line fuse is used to protect the vehicle should a short to chassis occur.

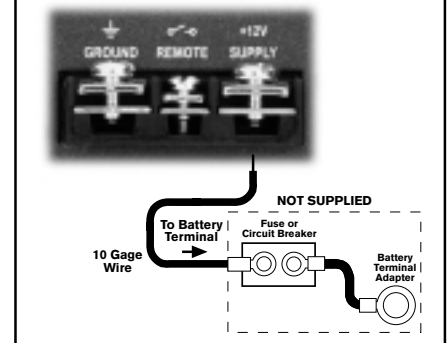
TRIGGER - This line tells the amp to turn on and is remotely switched from the radio which normally provides an amp "trigger" output. This line is required to go "high" (+12V) to turn on the amp. If this line is not available, use the power antenna line trigger which is normally available in most radios.

FUSE - This fuse is only for catastrophic situations should the amplifier begin to self-destruct or incur installation situations where gross amounts of current are being required from the amp beyond its design limits. Although another fuse should be installed inline with the high power line at the battery, this amplifier mounted fuse **MUST** remain in the circuit to protect the amplifier.

SPEAKER OUTPUTS - The amplifier is connected to appropriate impedance speakers via these leads. It is **IMPERATIVE** that these leads **NOT** be connected or touch the vehicle chassis in any way or the amplifier will be damaged. The (+) and (-) leads of the amp are in no way inter-connected to one another. Also, **NONE** of the leads can touch each other, touch ground, or touch +12V or damage may occur to the amp or vehicle.

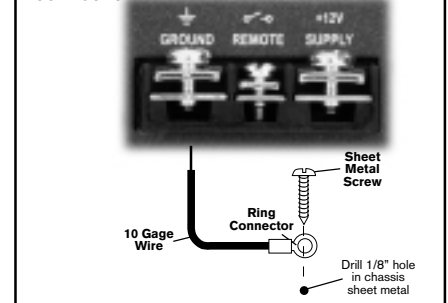
Power Terminal (+12V)

Connect directly to the vehicle battery (+) terminal with 10 gage wire (minimum)



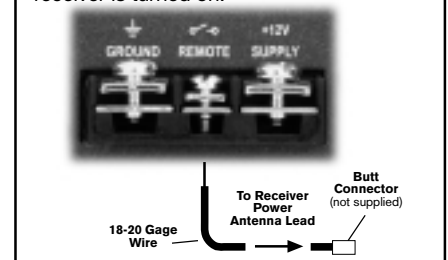
Ground Terminal

Connect to a good chassis ground. The ground connection should be clean, unpainted metal to provide a good electrical connection.

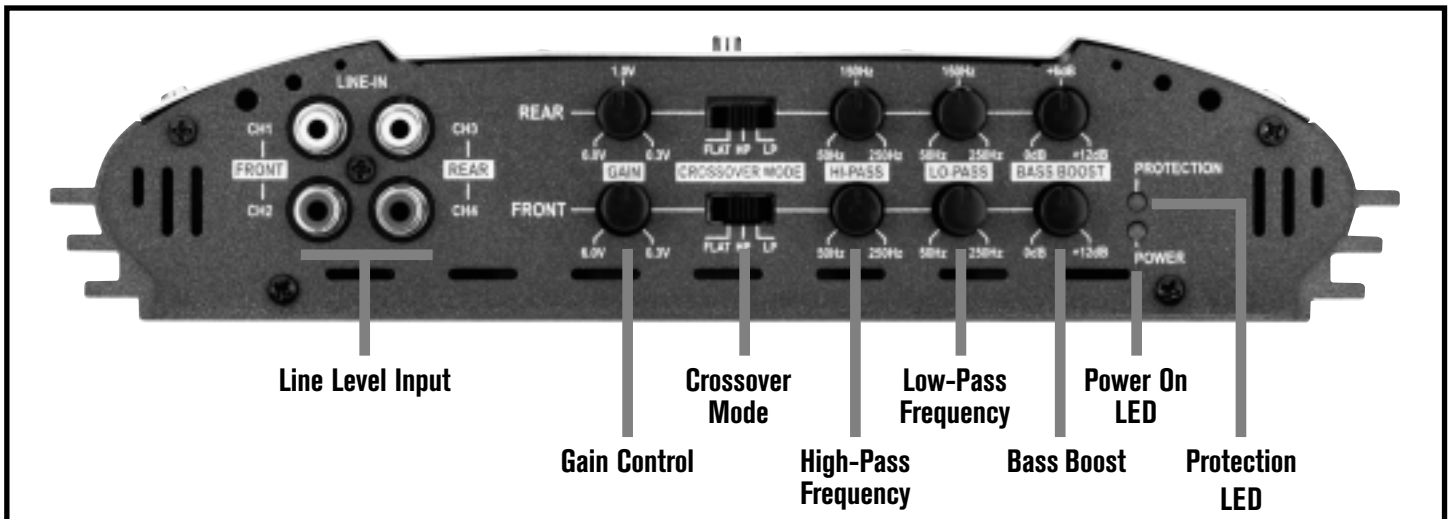


Remote Terminal

Connect the radio power antenna lead from the receiver to the amplifier remote terminal. This turns the amplifier on whenever the receiver is turned on.



CONNECTIONS & CONTROLS



LINE LEVEL INPUTS - The most commonly used inputs in the aftermarket world are RCA type line level inputs. These inputs can handle up to about 6 Volts rms without overdriving the amplifier. Such high voltages are rarely found from car audio head units so this is a very comfortable value. But, should the use need to drive the amp directly from speaker level leads, use the supplied "High Level Adapter" to connect to the amp.

POWER ON LED - This light will turn on when the amplifier receives a +12V turn on signal from the radio. If the amp is properly wired, but the light does not turn on, there may be a short circuit condition that the amp is protecting itself from.

PROTECTION LED - This light turns on if the amplifier senses a severe problem, such as a speaker short circuit.

BASS BOOST - This control provides additional bass in the 45Hz area to give a stronger low end "feel" to the bass. Once switched on, this will also allow the amp to be driven into distortion sooner so the user must be aware.

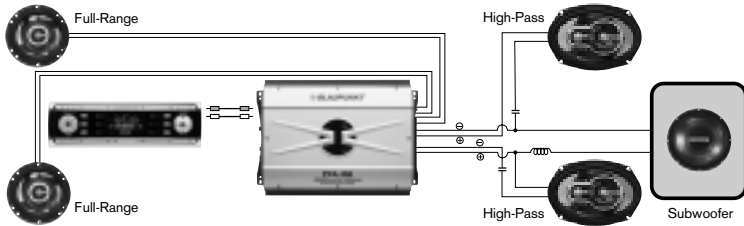
GAIN CONTROL - The gain control allows for a range of 0.3-6Volts input. This means that if the setting is a 0.3V, it only takes 0.3Volts to drive the amp to full output. *(Such a low setting allows for the amp to be easily overdriven and more susceptible to noise so a mid-position is highly recommended for most radios.)*

LOW-PASS FREQUENCY - If the mode selector is in the "LP" position the amplifier passes only low frequency sound. The upper limit for such sound is set via this control. For bass, a value just below 100Hz is usually best.

HIGH-PASS FREQUENCY - If the mode selector is in the "HP" position the amplifier passes only mid and high frequency sound. The lower limit for such sound is set via this control. A common setting is just above 100Hz.

CROSSOVER MODE - Depending upon the system design chosen, you need to set the amplifier in the proper "mode" be it LP, Flat, or HP. The low-pass and high-pass frequency settings are explained above. The "Flat" setting simply allows for the amp to pass all audio frequencies without any kind of crossover filter application. *(This is common with 6x9" fullrange coaxial speakers for example.)*

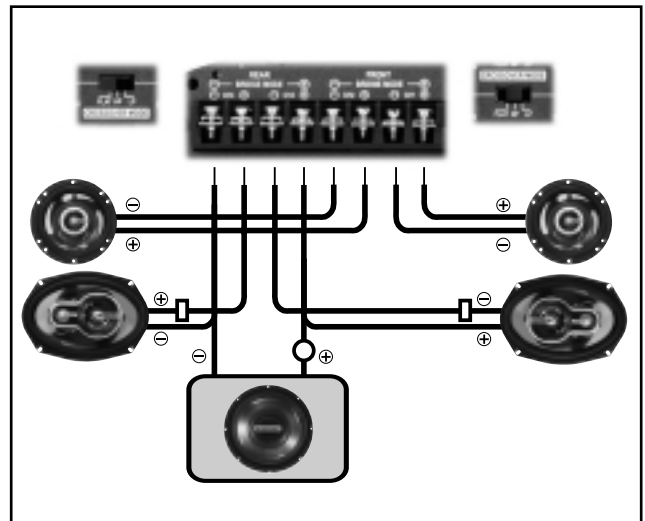
SYSTEM CONFIGURATION #1



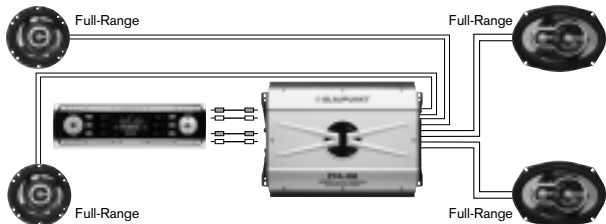
5 Channel Combo (2ch HP + 3ch passive Multi-Mode)

The multi-mode system is a “poor-man’s” satellite/subwoofer system. This amplifier is able to drive speakers in stereo mode and at the same time drive low frequencies to a dedicated subwoofer speaker. By inserting inductors (coils) and capacitors, the result is an inexpensive solution to generating a ‘5’ channel system with a 4 channel amplifier.

Using passive components (coils and capacitors) the installation is simple and performs adequately for most listeners. Such a system will not perform as well as an “active” system because the slow attenuation (roll-off) of the frequency response resulting in a moderate amount of over-lapping of the sound spectrum between the satellites and subwoofers. It is important to remember that although surprisingly pleasant performance is achieved, this is a compromise system and will NOT perform as well as a dedicated 5 channel system with electronic crossovers.



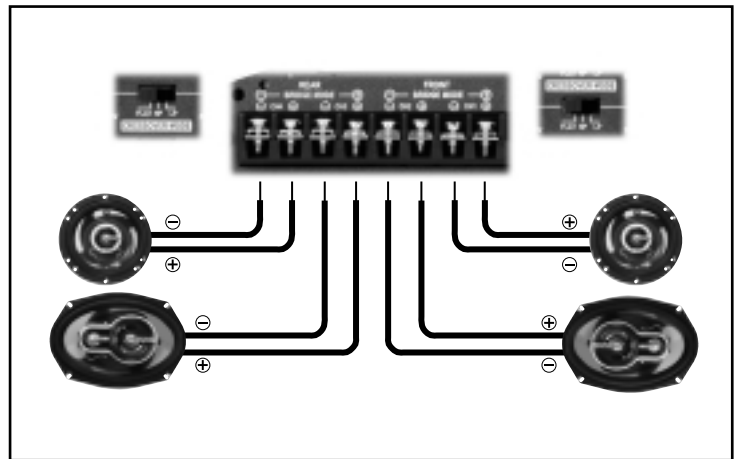
SYSTEM CONFIGURATION #2



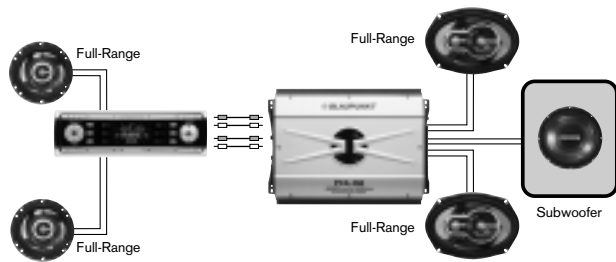
4 Channel (Full-Range,HP)

For many listeners, they need only slightly higher system loudness and/or music dynamic range without the amplifier going into distortion. By simply adding additional power to the speakers this can be achieved in many installations. BUT, the speakers must be able to handle this additional power without damage.

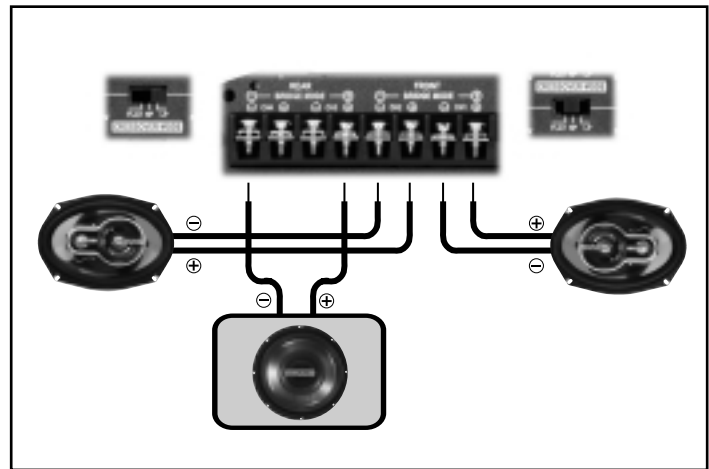
Such installations are most common with listeners who only need systems that can play moderately loud. Also, this consumer is often a person who simply cannot, or will not, accept additional amplifiers or speakers in the vehicle. Such systems will not be able to perform as well as audio systems with additional speakers and amps, but this is often an accepted trade-off for this consumers.



SYSTEM CONFIGURATION #3



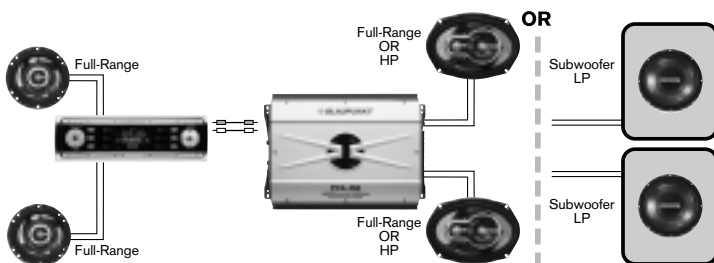
3 Channel Combo (2ch HP + 1ch Subwoofer)



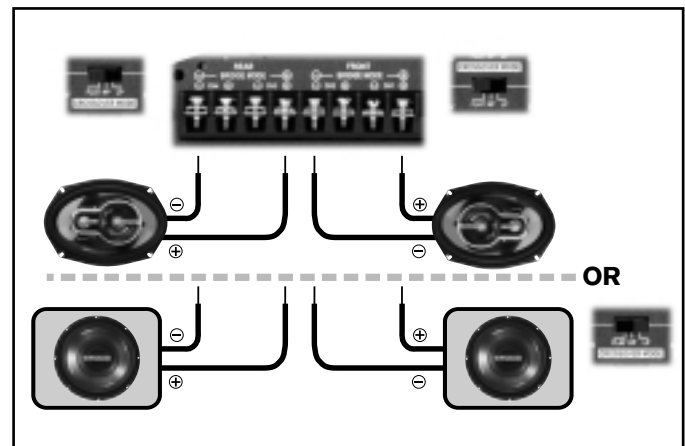
Like the four channel systems as shown above, the benefits, and performance trade-offs are similar. But, this system configuration offers an additional advantage with the internal high-pass crossover.

This crossover reduces the bass to the front speakers thus protecting them under heavy low frequency loads. A typical system with larger drivers in the back is then able to be pushed harder without worry over the power handling on the front speakers.

SYSTEM CONFIGURATION #4



2 Channel (Full-Range, HP, LP)



This installation is most popular for listeners who want to simply increase the power to the rear speakers in a car. The resulting performance is most commonly a louder overall sound field from the rear.

But, such a system's biggest benefit is the additional bass response since the bass control of the radio can be turned up without distorting the amplifier. Such a system is not necessarily louder in the mids and highs but is able to play louder in the low frequencies due to this additional power. This leads to an overall richer and stronger sound experience for the listener without additional subwoofer boxes or electronics that may complicate the system or take up more room. Such a system WILL NOT equal the performance of a subwoofer system but will certainly be a pleasant improvement.

With the addition of a high-pass filter, this amplifier is set up to complement a dedicated subwoofer amplifier/speaker system. This allows for smaller (e.g., 5" or 6") satellite speakers to operate most efficiently without being over-driven in the bass region where a dedicated subwoofer system operates most efficiently.

TROUBLE-SHOOTING GUIDE

Below is a basic trouble-shooting guide to assist in seeking out and correcting a problem that may occur in the installation process. Although lengthy, this chart cannot address every single problem possible but mainly the ones most common.

SYMPTOM	PROBABLE CAUSE OR CORRECTION
No power (power light not on)	<ul style="list-style-type: none"> ■ Check connections to amps +12 volt, ground, and remote lines. ■ Use voltmeter to verify voltages are at terminals of amp. ■ Check main power connection at battery. ■ Check fuse in power line at battery. ■ Disconnect all speakers but not power lines - if unit then turns on, a speaker short or speaker line touching vehicle chassis is likely.
Power but no sound (power light is on)	<ul style="list-style-type: none"> ■ Check all input cable lines for connection. ■ Disconnect speakers from amp, test speaker lines with digital voltmeter to verify >2 ohms per channel (non-bridged mode).
No sound from one channel or entire side	<ul style="list-style-type: none"> ■ Check radio's balance and fader control positions - verify they are at center. ■ Check speaker connections at amp and speaker. ■ Check input leads for connection to amp.
Very low sound level	<ul style="list-style-type: none"> ■ Verify radio balance and fader controls are at center positions. ■ Check amplifier's input gain control setting - adjust for higher output levels if necessary (gain settings closer to 0.3 volts). ■ Receiver may have very low output voltage levels - a step up "line driver" may have to be used.
Power amplifier turns on and off repeatedly (motor-boating sound)	<ul style="list-style-type: none"> ■ Make sure power connections at batter are tight. ■ Verify battery voltage is >11.5 volts DC (12.5-15V engine on) at amplifier with engine off. ■ Check all radio and amplifier ground connections.
Amplifier turns off during loud or distorted passages	<ul style="list-style-type: none"> ■ Input stage being over-driven - lower input gain (closer to 4 volt setting). ■ Verify battery voltage is >11.5 volts DC at amplifier with engine off. ■ Check all radio and amplifier ground connections. ■ Verify speaker loads >2 ohms on all channels (non-bridged mode).
Amplifier performs fine but gets very hot to the touch	<ul style="list-style-type: none"> ■ Input gain control too high - lower accordingly (closer to 4.0 volt setting). ■ Verify speaker loads >2 ohms on all channels (non-bridged mode). ■ Verify the mounting location allows for free air movement around the amp. Preferably, the amp should be mounted with fins up and down so rising heat moves quickly away from amp.
Amplifier turn-on/turn-off pops or noises	<ul style="list-style-type: none"> ■ "turn on race" - disconnect trigger from radio and turn on/off via a wire jumper to power terminal. If noise goes away, the radio is turning on/off too slowly. This is radio problem and can only be corrected with outboard turn-on delay relay system. ■ Radio "thump" - disconnect the RCA input lines to the amp and turn on/off via radio trigger. If noise goes away without RCA lines connected, the radio is sending pops out through RCA lines. This is a radio problem and can only be corrected with outboard turn-on delay relay system.
Cracking noises on AM/FM radio but not on tape or cd.	<ul style="list-style-type: none"> ■ Ensure the problem is "radiated noise" by placing a portable FM radio near the car engine. If noise is picked up, then it is a vehicle problem and not your system. Research to isolate the source and properly shield or bypass. ■ Are spark plugs and wires > 3 years old? These can often radiate substantial noise when old. ■ Verify the engine block has a good ground connection to chassis ground. ■ Verify the engine compartment hood is grounded to vehicle chassis via a braided grounding strap.
Whining noise, engine running, varies in pitch or loudness with engine speed, AND varies with radio volume control setting (<i>this is generally a RADIO installation problem</i>)	<ul style="list-style-type: none"> ■ Verify all power and ground connections are clean at radio. ■ Re-route radio power and ground so they are sourced from same connections back at amplifier (this is called a "common" ground). ■ Check all ground connections to ensure clean surfaces that have all paint removed and also not oxidation buildup over time. ■ Verify there is some kind of power filtering choke assembly at back of radio. If not, install one.
Whining noise, engine running, varies in pitch or loudness with engine speed, BUT, DOES NOT vary with radio volume control setting (<i>this is generally an amplifier installation problem</i>)	<ul style="list-style-type: none"> ■ Check battery ground connections at chassis are clean and tight, scraped free of oxidation, paint, and grease. ■ Re-route radio power and ground so they are sourced from same connections back at amplifier (this is called a "common" ground). ■ Bypass all equipment between radio and amp (e.g., equalizers) directly connecting radio. If noise goes away, signal processor has problem. ■ Check for signal level "ground loops" - disconnect the outer shield of the RCA cable at one end of the cable (e.g., radio end). If noise goes away, modify cables accordingly. There are voltage differences at the ground connections of the components and these are NOT correctable any other way than such shield cutting or an outboard "ground loop isolator" which is a small transformer.

LIMITED WARRANTY INFORMATION (UNITED STATES ONLY)

Robert Bosch Corporation warrants new Blaupunkt car audio products it distributes in the United States through authorized Blaupunkt dealers, or which are imported as original vehicle equipment by the automobile manufacturer, to be free from defects in material and workmanship, in accordance with the following:

For twelve (12) months after delivery to you, the original consumer purchaser, we will repair or at our option replace at no charge to you any car audio product which, under normal conditions of use and service, proves to be defective in materials or workmanship. However, this warranty does not cover expenses incurred in the removal or reinstallation of any car audio product, whether or not proven defective, and does not cover products not purchased from an authorized Blaupunkt dealer. This warranty is limited to the original consumer purchaser and is not transferable. Repaired and replacement car audio products shall assume the identity of the original for purpose of this warranty and this warranty shall not be extended with respect to such products.

To obtain performance of this warranty, contact the nearest Blaupunkt authorized repair facility or our nearest office. A dated purchase receipt or other proof that the product is within the warranty period will be required in order to honor your claim. Carefully pack the unit and ship prepaid to the servicing location. For further information, write to the Robert Bosch Corporation, 2800 South 25th Avenue, Broadview, Illinois, 60153, attention Blaupunkt Customer Service Department or call 1-800-266-2528.

Specifically excluded from this warranty are failures caused by misuse, neglect, abuse, improper operation or installation, dropping or damaging, unauthorized service or parts, or failure to follow maintenance instructions or perform normal maintenance activities. Normal maintenance activities for car audio products include but are not limited to cleaning and other minor maintenance activities and adjustments that are outlined in the owner's manual or that are normally required for continued proper operation. Also excluded from this warranty is the correction of improper installation and the elimination of any external electromagnetic interference. This warranty sets forth your exclusive remedies with respect to the products covered by it. We shall not be liable for any incidental, consequential, special or punitive damages arising from the sale or use of any Blaupunkt car audio products, whether such claim is in contract or tort. No attempt to alter, modify, or amend this warranty shall be effective unless authorized in writing by an officer of Robert Bosch Corporation.

THIS WARRANTY IS IN LIEU OF ALL OTHER WARRANTIES OR REPRESENTATIONS, EXPRESS OR IMPLIED, INCLUDING ANY WARRANTY IMPLIED BY LAW, WHETHER FOR MERCHANTABILITY OR FITNESS FOR A PARTICULAR PURPOSE OR OTHERWISE AND SHALL BE EFFECTIVE ONLY FOR THE PERIOD THAT THIS EXPRESS WARRANTY IS EFFECTIVE.

In the event any provision, or any part or portion of this warranty shall be held invalid, void or otherwise unenforceable, such holding shall not affect the remaining part or portions of that provision or any other provision hereof.

NOTICE TO CALIFORNIA OWNERS: If your Blaupunkt car audio product needs warranty repair service and there is no authorized service center reasonably close to you, you can return the defective unit to the dealer from whom you purchased it, or you can return it to any dealer who sells Blaupunkt car audio products. The dealer may, at the dealer's option, replace, repair or refund the purchase price for any Blaupunkt car audio products which prove defective under conditions of normal use. If the dealer fails to repair, replace, or partially refund your money, you may take your Blaupunkt car audio product to any repair shop and they can repair your unit at our expense unless the repair cost exceeds the depreciated value of the unit, but you must contact Blaupunkt to receive authorization to do this before your car audio product is repaired.

ROBERT BOSCH CORPORATION
BLAUPUNKT CUSTOMER SERVICE
2800 SOUTH 25TH AVENUE
BROADVIEW, IL 60155
TEL: 1-800-266-2528

BLAUPUNKT TECHNICAL SUPPORT

These amplifiers are designed to install quickly and easily into most vehicles. Should you experience installation problems, we will make all reasonable efforts to help you, the end purchaser or Installation Technician, to competently install these components. Before calling us please carefully review this owners manual for the answers to your questions.

Due to the limited print space of this owners manual, we also offer additional information regarding installation and systems on our Internet site. Via a standard Internet connection through a local Internet Service Provider or other providers (e.g., America Online), connect to our web site at the following address: www.BlaupunktUSA.com. On this site we offer technical information on system design, vehicle integration, product fit guides where possible, and extensive information on loudspeaker design and installation. For the more adventuresome builder, we also offer our "BlauBox" computer program which assists in designing subwoofer enclosures. This program is FREE to download and use. We also "link out" to other sites that provide additional theory and technical support for the consumer and the technically interested.



MERCI D'AVOIR CHOISI BLAUPUNKT!

Félicitations ! Vous êtes maintenant propriétaire d'un amplificateur pour autoradio exceptionnel, produit par les audiophiles enthousiastes de Blaupunkt. Notre équipe d'ingénieurs a passé un temps considérable à raffiner notre ligne d'amplificateurs PA, afin de vous apporter un son remarquable à un prix abordable. Nous nous concentrons avec ces produits sur la performance sonore, allée à une conception solide et à une installation flexible.

Nous vous offrons non seulement un produit remarquable, mais également un manuel du propriétaire pratique. Ce manuel peut être utilisé comme un guide d'apprentissage, grâce à ses explications brèves mais informatives sur la conception des systèmes et des amplificateurs. Nous voulons également nous assurer que le consommateur utilisera des techniques d'installation appropriées afin de tirer la meilleure performance possible de leur nouveau matériel audio. Nos préoccupations MAJEURES sont la sécurité et le processus d'installation. Nos revendeurs Blaupunkt ayant les outils et l'expérience nécessaires à une installation sûre et optimale, nous recommandons toujours qu'ils se chargent de l'intégration finale au véhicule. Toutefois, si vous décidez d'installer ces produits vous-même, veuillez prendre le temps de lire ce manuel jusqu'au bout et d'en observer toutes les précautions.

AVANTAGES ET PROPRIÉTÉS DES AMPLIFICATEURS PCA

Les amplis débutants sont toujours ambitieux de "jouer avec les grands" tout en restant pas chers. Mais ils l'ont rarement réussi... jusqu'à présent.

La conception de Classe AB solide comme un roc assure un son qui vous "tape à la figure" sans crainte pour sa fiabilité ou sa performance. La conception robuste de la série des amplis PCA, leur remarquable fréquence d'entrée et leur flexibilité du réglage d'accroissement permettent pratiquement toutes les configurations possibles du système. Les fils épais du bloc d'alimentation et des enceintes assurent que toute la puissance qui rentre à l'intérieur ressorte sous forme du meilleur son possible.

Si quelque chose ne va pas pendant l'installation, ne vous inquiétez pas. Le système est protégé contre les courts-circuits de sortie, de mise à la terre et du circuit 12 volts; en outre, un voyant de sécurité vous prévient du problème. La paix en l'âme, une grande puissance, et encore pas très cher...ne cherchez pas davantage.

- Des watts efficaces réels. Pas besoin de watts "bidon". C'est du vrai son dans un ampli super, donc on n'a pas besoin d'exagérer – ça fait ce que ça dit.
- Une conception plus robuste de Classe AB avec des étages de sortie renforcés assure une performance solide et la fiabilité.
- De grandes plaques de refroidissement pour assurer une dissipation adéquate de la chaleur, quelle que soit la charge (elles ont l'air chouette en plus).
- Des dimensions impressionnantes, avec des cosses dorées du bloc d'alimentation et des enceintes assurant des connexions fiables, à basse résistance.
- Un voyant de sécurité qui signale des arrêts de l'appareil par suite de problèmes d'installation.
- Une large gamme de capacité d'entrée: 0,3 à 6,0 VRMS.
- Le réglage variable continu de la fréquence de recouvrement.
- Une sortie stable à 2 ohms (mode non ponté)



CONSIGNES DE SÉCURITÉ

Nous recommandons toujours que les amplificateurs Blaupunkt soient installés par des professionnels, mais le processus d'installation est tellement facile que le consommateur moyen peut y parvenir sans grande difficulté. Quelle que soit la personne qui effectue l'installation, assurez-vous de bien revoir les points suivants avant de commencer :

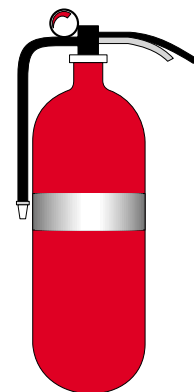


- **LISEZ LE MANUEL!** Compréhension des limitations du produit et de l'installation avant de lever le tournevis.
- **PORTEZ DES LUNETTES DE SÉCURITÉ À TOUT MOMENT** - Les projections de débris sont toujours dangereuses.
- **PROTÉGEZ LE VÉHICULE** - Déconnectez toujours le câble négatif de la batterie avant d'entamer tout travail d'installation. Cela prévient les risques de courts-circuits de fort courant (risque d'incendie).
- **CHALEUR** - Gardez tous les composants audio éloignés des composants automobiles voisins dont la chaleur augmente avec le temps, tels que tuyaux, câbles à fort courant et composants du circuit de freins.
- **ACCORDEZ-VOUS BEAUCOUP DE TEMPS** - La précipitation afin de déterminer l'installation aboutit presque toujours à des problèmes.
- **N'ÉCOUTEZ PAS À DES VOLUMES ÉLEVÉS POUR DES DURÉES PROLONGÉES** - Ces amplificateurs, utilisés avec des haut-parleurs de forte puissance, quels qu'en soient les fabricants, peuvent provoquer une surdité permanente après une écoute de plusieurs heures à volume maximum.

AVERTISSEMENTS RELATIFS À L'INSTALLATION !

Avant de désosser votre superbe voiture neuve, vous devez avoir quelques connaissances de base sur l'installation et savoir utiliser des outils mécaniques et électriques courants. L'observation de tels conseils et avertissements relatifs à l'installation évitera d'endommager le véhicule, ainsi que les risques d'incendie.

- **ENCORE...LISEZ LE MANUEL !** De nombreuses informations utiles se trouvent dans ce manuel, qui vous feront gagner du temps et vous éviteront des problèmes ultérieurs.
- **COUVREZ LES ZONES DE TRAVAIL DU VÉHICULE** - Utilisez des serviettes ou des couvertures afin de protéger les zones de travail du véhicule des rayures ou des coups.
- **DÉCONNECTEZ LE CÂBLE (-) DE LA BATTERIE** - Pas d'étincelles ni de feu s'il vous plaît !
- **"RÉVISEZ" L'INSTALLATION** - Avant d'utiliser tout outil ou de retirer tout composant du véhicule, prenez quelques minutes afin de revoir les projections de l'installation (par exemple, vérifiez qu'il y a suffisamment de place à l'endroit où vous projetez d'installer l'amplificateur avant de démonter l'intérieur de la voiture).
- **"RÉVISEZ" LE VÉHICULE** - Avant de percer ou de découper toute surface, assurez-vous qu'aucune durite d'essence ou hydraulique ne se trouve derrière. Assurez-vous également qu'aucun câble ne passe derrière ou à proximité de la zone de montage envisagée (souvenez-vous...les vis dépassent souvent de 2 à 5 centimètres à l'arrière de la surface de montage).
- **ASSUREZ-VOUS D'UN DÉGAGEMENT SUFFISANT** - Avant de couper ou de percer, assurez-vous que l'amplificateur tiendra physiquement dans l'endroit envisagé. Vérifiez les dégagements autour des barres de torsion du pont arrière ou d'autres éléments structurels.
- **CHAQUE VOITURE EST ASSEMBLÉE DIFFÉREMMENT** - Chaque constructeur d'automobiles utilise des techniques d'assemblage différentes. Faites attention lorsque vous enlevez/modifiez les panneaux ou les surfaces de montage, car les vis ou les attaches uniques qui les assemblent sont difficiles à remplacer si elles sont perdues ou cassées.
- **FAITES ATTENTION AU PARCOURS DES CÂBLES** - Lorsque vous posez les câbles audio, assurez-vous dans la mesure du possible que les câbles RCA ou de haut-parleurs sont placés à l'écart des câbles d'alimentation électrique à fort courant du véhicule ou de l'amplificateur. Cela aidera à éviter que des bruits ne se glissent dans le système audio et préviendra un endommagement potentiel du câblage du véhicule.
- **FAITES ATTENTION À TOUTES LES CONNEXIONS** - Lorsque vous effectuez des connexions, assurez-vous que chacune d'entre elles est propre et correctement attachée. Observez soigneusement toutes les marques de polarité afin d'assurer une performance finale optimale.
- **ATTENTION - LES TUYAUX ET LES RÉSERVOIRS D'ESSENCE SONT MAINTENANT PLACÉS DIRECTEMENT DERRIÈRE LE PONT ARRIÈRE SUR BEAUCOUP DE VOITURES - ASSUREZ-VOUS D'UN DÉGAGEMENT SUFFISANT AVANT MÊME DE SONGER À UN TEL ENDROIT !**

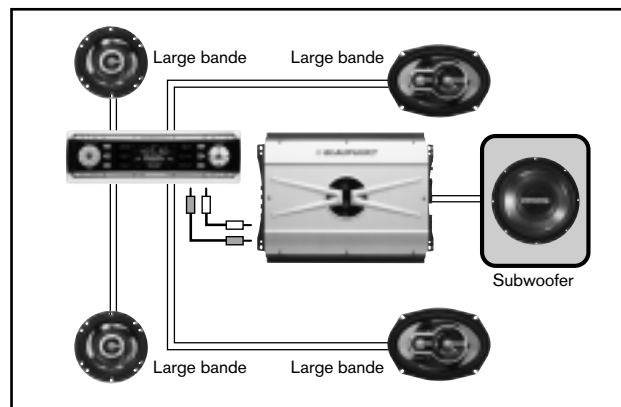


PLANIFICATION DU SYSTÈME

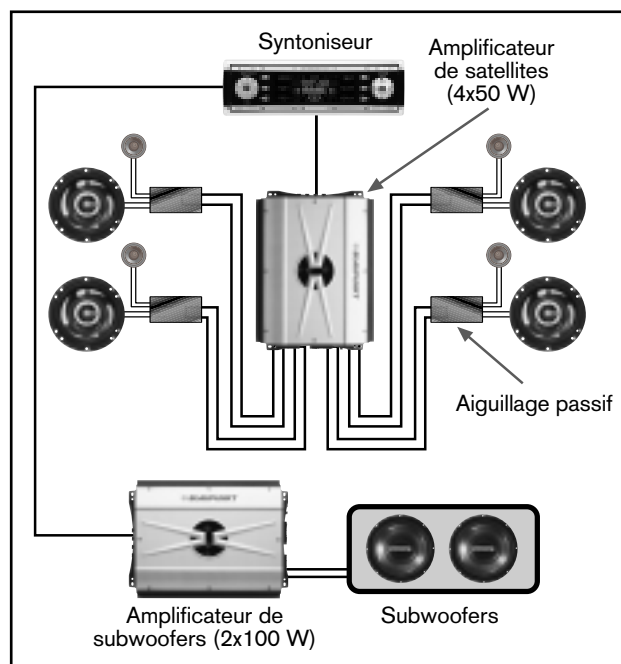
Avant d'effectuer le câblage d'un système audio qui n'atteindra peut-être pas la qualité de son voulue, assurez-vous que vous choisissez un concept qui correspond à l'audition que vous recherchez. Les systèmes de base, un ampli-tuner de 4x20 watts interne et 4 haut-parleurs coaxiaux sont adéquats pour beaucoup d'auditeurs. Mais si vous voulez vraiment 'sentir' la musique, il vous faudra une combinaison du type subwoofer/amplificateur/haut-parleur. Bien que beaucoup de gens se précipitent sur un amplificateur 'accessoire' pour alimenter leurs haut-parleurs arrière coaxiaux, un choix plus judicieux consiste habituellement en un système subwoofer/amplificateur/haut-parleur qui vient s'ajouter au système de 4 haut-parleurs existants tel qu'illustré dans le dessin ci-contre. Un tel système procure une amélioration de la qualité sonore surprenante due à l'augmentation habituellement spectaculaire de la réponse des graves.

L'amélioration de performance spectaculaire suivante consiste en un système 'multicanaux' qui procure une plage dynamique plus étendue dans les fréquences moyennes et élevées due à une puissance accrue et à une réponse de graves améliorée due à des woofers (haut-parleurs de graves) multiples et/ou à une puissance accrue. Mais, avec ce type de système, l'image stéréo et l'expérience auditive en général deviennent habituellement beaucoup plus vivantes grâce à des haut-parleurs de fréquences moyennes et à des tweeters (haut-parleurs d'aigus) de meilleure qualité tonale et souvent à un meilleur placement.

L'élaboration d'un tel système apporte toutefois une complexité accrue due à l'addition d'aiguillages passifs ou actifs qui prennent du temps à installer et peuvent injecter du bruit dans le système à cause de l'augmentation potentielle de l'intensité du bruit. Le résultat d'un tel système peut être pourtant extrêmement plaisant.



Système de subwoofer supplémentaire



Système multicanaux haute performance

OUTILS D'INSTALLATION

De simples outils à main sont suffisants pour la plupart des installations d'amplificateurs. Vous aurez peut-être besoin d'outils électriques pour percer et couper dans le plastique ou le métal, selon l'endroit du montage. Vous trouverez ci-dessous une liste de départ :

- Mètre à ruban et règle
- Marqueur et poinçon
- Tournevis à têtes plates et cruciformes (de tailles petites et moyennes)
- Attaches de câbles en Nylon
- Pincettes : blocantes standard et pointues
- Petit pied de biche pour enlever les garnitures
- Cisailles ou outil à découper pour couper du métal d'épaisseur fine ou moyenne
- Pincettes coupantes, dénudeur, bande adhésive d'électricien, pincettes à sertir et terminaux appropriés
- Perceuse et mèches appropriées



CÂBLAGE DU VÉHICULE

POSE DE FUSIBLES SUR LE VÉHICULE

Pour des raisons de sécurité, un fusible à fort courant (oucoupe-circuit) DOIT être installé en ligne avec le (les) amplificateur(s) au niveau immédiat de la batterie afin d'éviter d'endommager le véhicule s'il arrivait que la ligne d'entrée provoque un court-circuit en touchant le châssis. Le tableau ci-contre à droite indique les tailles recommandées des fusibles principaux pour un système audio moyen en fonction de son niveau de puissance de sortie efficace.

TABLEAU DE CÂBLAGE DES HAUT-PARLEURS
(taille de fusible par puissance totale de système d'amplification en watts "efficaces")

	100 W	200 W	500 W	1000 W
Taille de fusible (en ampères)	20 A	30 A	50 A	100 A

CÂBLAGE DE L'ALIMENTATION

La plupart des véhicules construits depuis 1990 ont une capacité électrique adéquate pour votre amplificateur. A l'exception des systèmes dont la puissance efficace est supérieure à 500 W, le système de charge et la batterie d'usine devraient supporter facilement un amplificateur correctement installé. Des câbles de taille suffisante doivent être choisis afin d'assurer un acheminement adéquat du courant à l'amplificateur. La taille des câbles (calibre) doit être accrue en fonction de la puissance du système. (L'utilisation de câbles de taille plus élevée que celle indiquée est généralement une perte de temps et d'argent, car la performance n'en est pas améliorée.)

TABLEAU DE CÂBLAGE DE L'ALIMENTATION ET DE LA MISE À LA MASSE
(calibre des câbles par puissance de système totale en watts "efficaces")

LONGUEUR DE CÂBLE	100 W	200 W	500 W	1000 W
5 ft. / 1.5 m	12	10	8	4
10 ft. / 3.0 m	12	10	8	4
15 ft. / 4.5 m	10	8	6	2
20 ft. / 6.0 m	10	8	6	2
25 ft. / 7.5 m	10	8	4	0 or 00

Le diamètre des câbles doit s'accroître (numéro de calibre plus petit) pour les systèmes de puissance supérieure. Le diamètre doit également s'accroître en fonction de la longueur du câble. Les tailles de câble indiquées autorisent une chute de tension maximum de 0,5 volts sur la longueur d'un câble donné, ce qui est inaudible à l'auditeur moyen.

CÂBLAGE DES HAUT-PARLEURS

A l'instar des câbles d'alimentation, la taille (calibre) des câbles de haut-parleurs change en fonction de la puissance requise et de la longueur du câble. Le tableau relatif aux câbles de haut-parleurs indique la taille de câble minimum recommandée pour un canal de sortie unique alimentant un haut-parleur à une distance donnée avec une perte de puissance maximum de 0,5 dB, le seuil de l'audibilité. (L'utilisation de câbles de taille plus élevée que celle indiquée est généralement une perte de temps et d'argent, car la performance n'en est pas améliorée.)

TABLEAU DE CÂBLAGE DES HAUT-PARLEURS
(taille de fusible par puissance totale de système d'amplification en watts "efficaces")

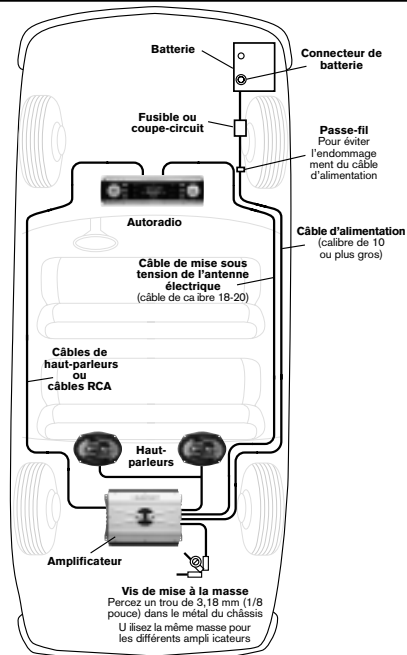
LONGUEUR DE CÂBLE	20 W	50 W	100 W	200 W
5 ft. / 1.5 m	18	16	16	16
10 ft. / 3.0 m	18	16	16	16
15 ft. / 4.5 m	16	16	16	14
20 ft. / 6.0 m	16	16	16	14
25 ft. / 7.5 m	16	16	14	12

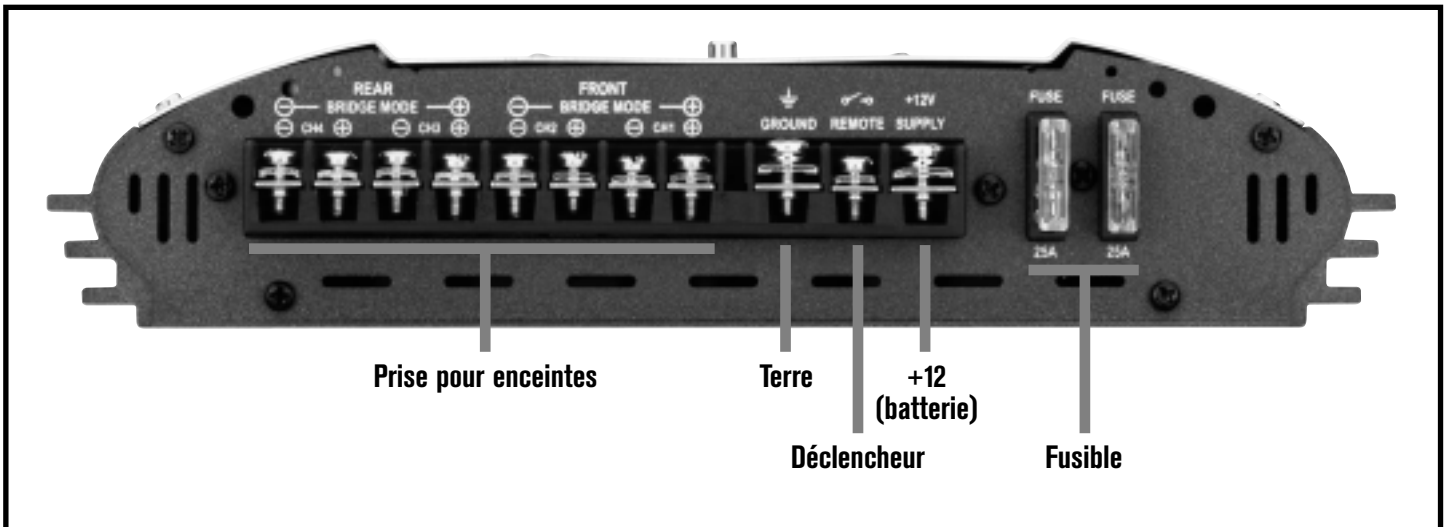
CÂBLAGE FINAL DU VÉHICULE

Les exigences actuelles pour l'amélioration d'un système audio imposent qu'une ligne d'alimentation dédiée soit posée depuis l'amplificateur directement jusqu'à la batterie du véhicule. Cette ligne ne doit PAS passer par la boîte à fusibles du véhicule, mais aller directement à la batterie. Ne la faites PAS passer non plus par l'alternateur. Un fusible d'ampérage adéquat tel qu'indiqué dans le tableau ci-dessus DOIT être installé à la batterie.

Quand au câblage final du signal, assurez-vous de bien poser les câbles du côté opposé aux câbles d'alimentation afin d'éviter de capter le bruit venant de ces lignes. Essayez également de poser les câbles audio à l'écart de sources de bruit telles qu'ordinateurs de moteurs ou de freins ABS.

Une mise à la masse correcte de l'alimentation est importante afin d'assurer un passage de courant adéquat. Décapez bien la surface de toute peinture afin d'assurer une bonne connexion électrique.





CONNEXIONS D'ALIMENTATION :

MASSE – C'est la connexion de terre à courant élevé avec le châssis de la voiture. Elle doit être attachée à une connexion de terre propre du véhicule, capable de traiter des charges à courant élevé. Ce conducteur ne doit pas avoir une longueur dépassant 3 pieds (1 mètre)

+12v – Une ligne à courant élevé acheminée directement à partir de la batterie est extrêmement recommandée pour garantir une tension et un courant suffisants. Cette ligne DOIT être acheminée à travers un fusible spécialisé d'une certaine sorte et ce fusible doit être situé immédiatement à côté de la source d'alimentation. Ce fusible en ligne est utilisé pour protéger le véhicule si un court-circuit devait se produire avec le châssis.

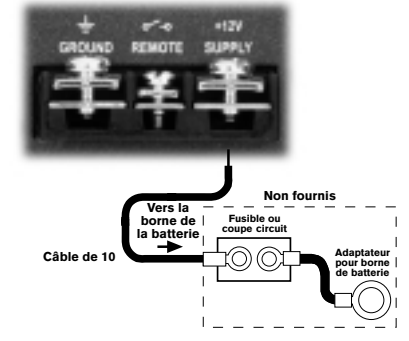
MISE EN MARCHÉ – Cette ligne dit à l'ampli de se mettre en marche ; elle est commutée à distance à partir de la radio qui fournit normalement une sortie de "déclenchement". Cette ligne est requise de passer à l'état "élevé" (+12V) pour mettre l'ampli en marche. Si cette ligne n'est pas disponible, utiliser la mise en marche de ligne d'antenne à commande électrique qui est normalement disponible dans la plupart des radios.

FUSIBLE – Ce fusible n'est destiné qu'aux situations catastrophiques pouvant se produire si l'amplificateur commence à s'autodétruire ou subit des situations d'installation dans lesquelles des intensités excessives sont requises de l'ampli au-delà de ses limites assignées. Bien qu'un autre fusible doive être installé aligné avec la ligne à puissance élevée à la batterie, ce fusible monté sur l'amplificateur DOIT rester dans le circuit pour protéger l'amplificateur.

SORTIES HAUT-PARLEUR – L'amplificateur est connecté aux haut-parleurs à impédances appropriées au moyen de ces fils. Il est IMPÉRATIF que ces fils NE soient PAS connectés ni ne touchent d'aucune façon le châssis du véhicule sinon l'amplificateur sera endommagé. Les fils (+) et (-) de l'ampli ne sont d'aucune façon interconnectés l'un à l'autre. Noter aussi qu'AUCUN fil ne peut en toucher un autre, toucher la masse ni toucher +12V sinon des dommages peuvent être causés à l'ampli ou au véhicule.

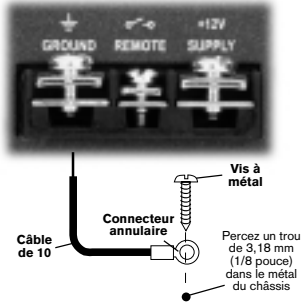
Borne d'alimentation (+12 V)

Raccordez directement à la borne + de la batterie avec du câble de 10 (minimum)



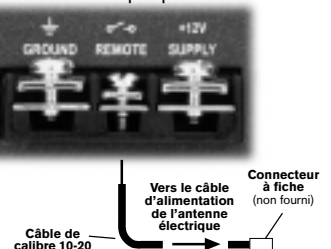
Borne de masse \perp

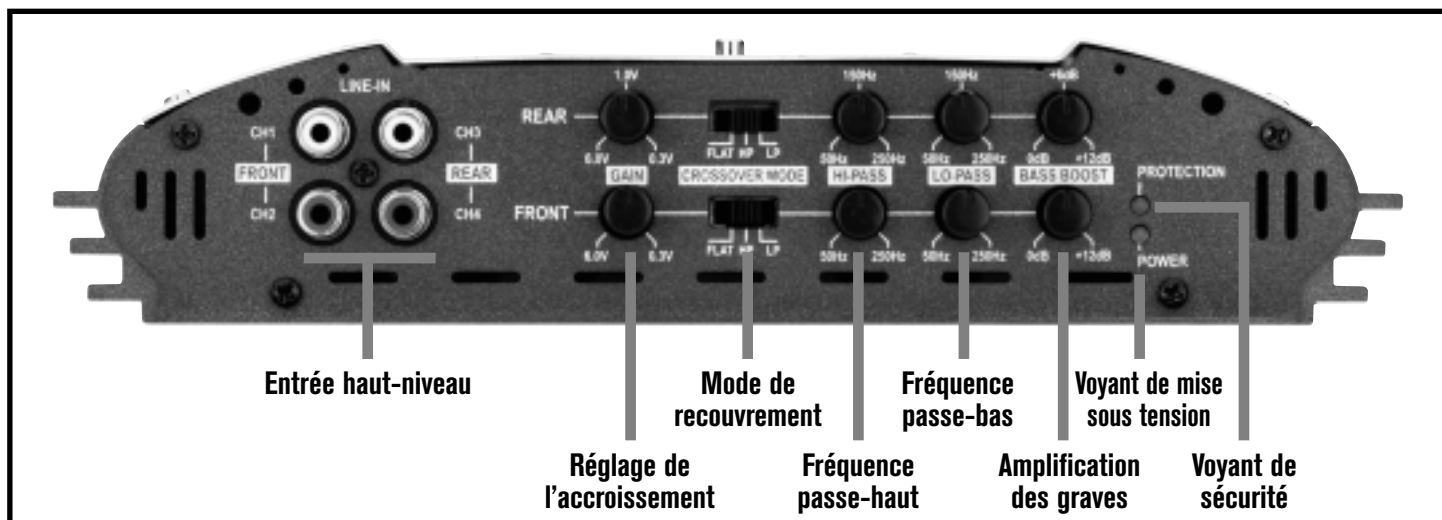
Mettez à la masse sur le châssis. La connexion de masse devrait être une partie métallique propre et non peinte afin d'assurer une bonne connexion électrique.



Borne d'activation à distance

Raccordez le câble d'alimentation de l'antenne électrique de l'autoradio à la borne de l'amplificateur. Cela met l'amplificateur sous tension en même temps que l'autoradio.





ENTRÉES DE NIVEAU DE LIGNE – Les entrées utilisées le plus couramment dans le monde du marché des accessoires et pièces de rechange sont les entrées de niveau de ligne du type RCA. Ces entrées peuvent traiter jusqu'à environ 6 Volts eff sans surpiloter l'amplificateur. Ces tensions élevées sont rarement rencontrées dans les têtes audio pour voitures ; c'est donc une valeur très confortable. Cependant, s'il faut piloter directement l'ampli à partir des fils de niveau de haut-parleur, utiliser "l'Adaptateur de niveau élevé" fourni pour connecter l'ampli.

DEL D'ALIMENTATION EN MARCHÉ – Ce voyant s'éclairera quand l'amplificateur aura reçu un signal de mise en marche de +12V venant de la radio. Si l'ampli est correctement câblé, mais que le voyant ne s'éclaire pas, il se peut qu'il y ait une condition de court-circuit contre laquelle l'ampli est en train de se protéger.

VOYANT DE SÉCURITÉ – Ce voyant s'allume si l'amplificateur détecte un problème sérieux, tel qu'un court-circuit dans les enceintes.

AMPLIFICATION DES BASSES FRÉQUENCES – Cette commande procure des graves supplémentaires dans la zone des 45 Hz pour apporter une sensation d'extrémité basse dans les graves. Une fois qu'elle est mise sous tension, elle permet aussi à l'ampli d'être conduit plus tôt dans un état de distorsion ; l'utilisateur doit donc être au courant de ce fait.

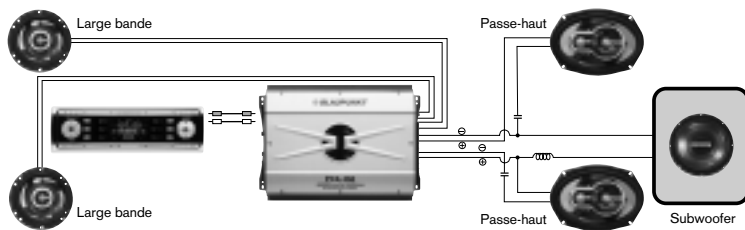
RÉGLAGE DU GAIN - Le réglage du gain prévoit une gamme d'entrées de 0,3-6Volts. Cela veut dire que si le réglage est un 0,3 V, cela ne prendra que 0,3Volt pour mener l'ampli à sa sortie maximum (Un tel réglage bas permet à l'ampli d'être facilement surpilote et d'être plus sensible au bruit si bien qu'il est extrêmement recommandé d'adopter une position moyenne pour la plupart des radios).

FRÉQUENCE PASSE-BAS – Si le sélecteur de mode est dans la position "LP", l'amplificateur ne laissera passer que les sons de basse fréquence. La limite supérieure de ces sons est établie au moyen de cette commande. Pour les graves, une valeur juste au-dessous de 100Hz est habituellement la meilleure.

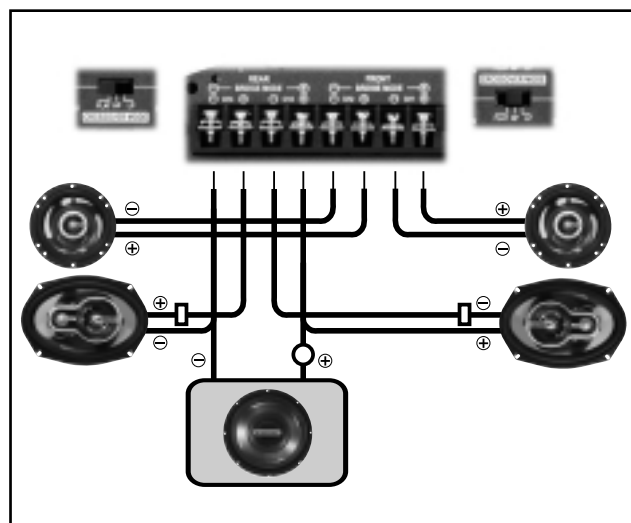
FRÉQUENCE PASSE-HAUT – Si le sélecteur de mode est dans la position "HP", l'amplificateur ne laissera passer que les sons de fréquences moyennes et élevées. La limite inférieure de ces sons est établie au moyen de cette commande. Un réglage courant est juste au-dessus de 100 Hz.

MODE DE SÉLECTION DE FRÉQUENCE – Selon la conception de système choisie, vous avez besoin de régler l'amplificateur dans le "mode" correct, que ce soit LP (Passe-bas), Full range (Gamme complète) ou HP (Passe-haut). Les réglages de fréquence passe-bas et de fréquence passe-haut sont expliqués ci-dessus. Le réglage "gamme complète" permet seulement à l'ampli de laisser passer toutes les fréquences audio sans aucune sorte d'application de filtre de transition (C'est courant avec les haut-parleurs coaxiaux à large bande 6x9", par exemple).

CONFIGURATION DE SYSTÈME N° 1



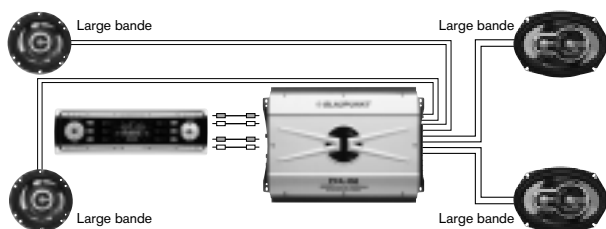
**5 canaux mixtes
(2 canaux passe-haut + 3 canaux multimode passif)**



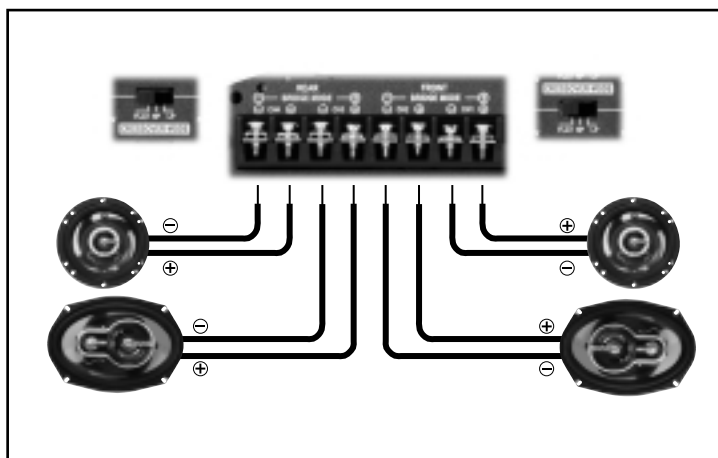
Le système multimode est le système satellite/subwoofer du " pauvre ". Cet amplificateur peut alimenter des haut-parleurs en stéréo tout en alimentant en basses fréquences un subwoofer dédié. En insérant des inductances (bobines) et des condensateurs, on obtient une solution peu onéreuse qui sort "5" canaux d'un amplificateur à 4 canaux.

L'utilisation de composants passifs (bobines et condensateurs) permet une installation simple et une performance que la plupart des auditeurs trouveront adéquate. Un tel système ne procure pas une performance aussi bonne qu'un système " actif ", car la lente atténuation (coupeure) de la réponse de fréquence entraîne un chevauchement modéré du spectre sonore entre les satellites et les subwoofers. Il est important de se souvenir que bien qu'une performance étonnement plaisante soit atteinte, il s'agit d'un système de compromis dont la performance n'est PAS aussi bonne que celle d'un système à 5 canaux dédiés à aiguillages électroniques.

CONFIGURATION DE SYSTÈME N° 2



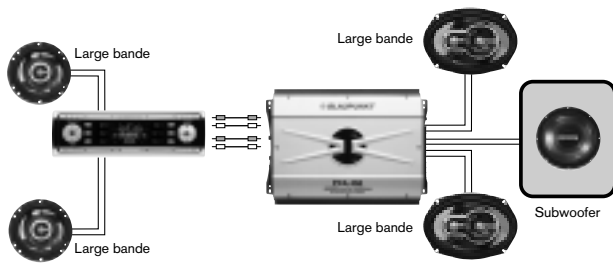
4 canaux large bande, HP



De nombreux auditeurs n'ont besoin que d'un volume et/ou d'une dynamique légèrement plus élevés sans engendrer de distorsion de l'amplificateur. Cela peut être réalisé sur beaucoup d'installations en fournissant simplement une puissance supplémentaire aux haut-parleurs. TOUTEFOIS, les haut-parleurs doivent être en mesure d'absorber cette puissance sans dommage.

De telles installations sont particulièrement courantes chez les auditeurs qui ne nécessitent que des systèmes de puissance modérée. Il s'agit souvent aussi de consommateurs qui ne peuvent pas, ou ne veulent pas installer d'amplificateurs ou de haut-parleurs supplémentaires dans leurs véhicules. De tels systèmes ne pourront pas fonctionner aussi bien que des systèmes à haut-parleurs et amplis supplémentaires, mais il s'agit souvent pour ce consommateur d'un compromis accepté.

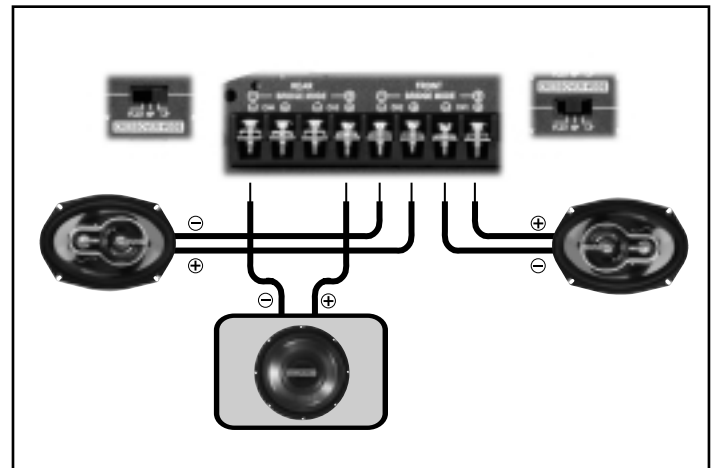
CONFIGURATION DE SYSTÈME N° 3



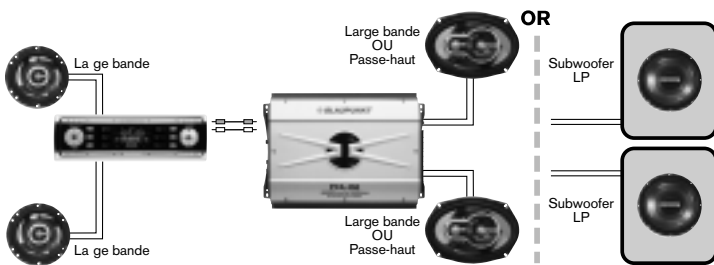
3 canaux mixtes
(2 canaux passe-haut + 1 canaux subwoofer)

Les avantages et les inconvénients sont similaires à ceux des systèmes quatre canaux présentés ci-dessus, mais la configuration de ce système offre l'avantage supplémentaire d'un aiguillage passe-haut interne.

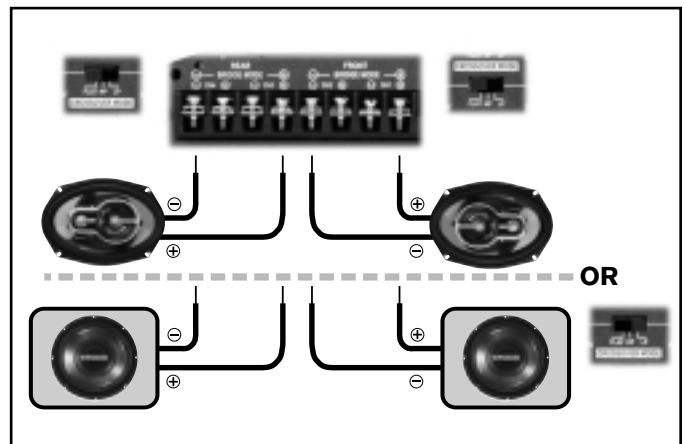
Cet aiguillage réduit l'alimentation de graves sur les haut-parleurs avant, les protégeant ainsi lors de lourdes charges de basses fréquences. Un système comportant, comme c'est souvent le cas, des amplificateurs plus puissants à l'arrière, peut ainsi être poussé plus fort sans se soucier de la tenue en puissance des haut-parleurs avant.



CONFIGURATION DE SYSTÈME N° 4



2 canaux (Mode large bande, LP, HP)



Cette installation est particulièrement populaire pour les auditeurs qui veulent simplement augmenter la puissance des haut-parleurs arrière de leur voiture. Le résultat en est le plus souvent un espace sonore plus puissant venant de l'arrière.

Mais l'avantage le plus important d'un tel système est la réponse de graves supplémentaire, car la commande de graves de l'autoradio peut être poussée sans engendrer de distorsion de l'amplificateur. Un tel système n'est pas nécessairement plus puissant dans les fréquences moyennes ou aiguës, mais les basses fréquences peuvent être jouées plus fort grâce à cette puissance accrue. Cela entraîne une expérience sonore globale plus riche et plus puissante pour l'auditeur sans ajouter d'enceintes de subwoofer ou d'appareils électroniques qui peuvent compliquer le système ou prendre plus de place. Un tel système n'égalera PAS la performance d'un système à subwoofer, mais procurera certainement une plaisante amélioration.

Avec l'addition d'un filtre passe-haut, cet amplificateur est configuré pour compléter un système dédié amplificateur de subwoofer/haut-parleur. Cela permet à des haut-parleurs satellites plus petits (par exemple, 5 ou 6 pouces - 12,7 cm ou 15,25 cm) de fonctionner plus efficacement sans être suralimenté dans les zones graves où un système de subwoofer dédié fonctionne avec plus d'efficacité.

Vous trouverez ci-dessous un guide de dépannage sommaire afin de vous assister à rechercher et à corriger les problèmes éventuels que vous pourriez rencontrer lors de l'installation. Bien que ce tableau soit assez long, il ne peut adresser tous les problèmes possibles, mais seulement les plus communs.

SYMPTÔME	CAUSE PROBLE OU CORRECTION
Pas d'alimentation (le témoin d'alimentation n'est pas allumé)	<ul style="list-style-type: none"> ■ Vérifiez la connexion +12 V à l'ampli, à la masse et aux lignes éloignées. ■ Utilisez un voltmètre afin de vérifier la tension aux bornes de l'ampli. ■ Vérifiez les connexions de l'alimentation à la batterie. ■ Déconnectez tous les haut-parleurs mais pas les lignes d'alimentation - si l'appareil se met alors en marche, il est probable qu'un haut-parleur est en court-circuit ou qu'une ligne de haut-parleur touche le châssis du véhicule.
Alimentation mais pas de son (le témoin d'alimentation est allumé)	<ul style="list-style-type: none"> ■ Vérifiez la connexion de tous les câbles d'entrée. ■ Déconnectez les haut-parleurs de l'ampli, puis testez les lignes avec un voltmètre numérique pour vérifier que l'impédance est supérieure à 2 ohms par canal (mode non ponté).
Aucun son ne sort d'un canal ou de tout un côté	<ul style="list-style-type: none"> ■ Vérifiez la position des commandes d'équilibre et d'atténuation de l'autoradio - assurez-vous qu'elles se trouvent bien au centre. ■ Vérifiez les connexions de haut-parleurs à l'ampli et aux haut-parleurs. ■ Vérifiez la connexion des câbles d'entrée à l'ampli.
Volume très faible	<ul style="list-style-type: none"> ■ Vérifiez que les commandes d'équilibre et d'atténuation se trouvent bien au centre. ■ Vérifiez le réglage de gain d'entrée de l'amplificateur - ajustez-le pour des niveaux de sortie plus élevés si nécessaire (réglage de gain plus proche de 0,3 volts). ■ L'autoradio peut avoir des tensions de sortie très faibles - une augmentation par 'attaquer de ligne' sera peut-être nécessaire.
L'amplificateur se met en marche et s'arrête de façon répétée (son de hors-bord)	<ul style="list-style-type: none"> ■ Vérifiez que les connexions sont bien serrées à la batterie. ■ Vérifiez que la tension de la batterie à l'amplificateur est supérieure à 11,5 volts CC avec le moteur arrêté (12,5-15 V moteur en marche). ■ Vérifiez toutes les connexions de masse de l'autoradio et de l'amplificateur.
L'amplificateur s'arrête lors de passages forts ou en distorsion	<ul style="list-style-type: none"> ■ Entrée suralimentée - gain d'entrée plus faible (réglage plus proche de 4 volts). ■ Vérifiez que la tension de la batterie à l'amplificateur est supérieure à 11,5 volts CC avec le moteur arrêté. ■ Vérifiez toutes les connexions de masse de l'autoradio et de l'amplificateur. ■ Vérifiez que la charge des haut-parleurs est supérieure à 2 ohms sur tous les canaux (mode non ponté).
L'amplificateur fonctionne bien mais il est très chaud au touché	<ul style="list-style-type: none"> ■ Commande de gain d'entrée trop élevée - diminuez en conséquence (réglage plus proche de 4 volts). ■ Vérifiez que la charge des haut-parleurs est supérieure à 2 ohms sur tous les canaux (mode non ponté). ■ Vérifiez que la location de l'amplificateur autorise une circulation d'air suffisante. L'amplificateur devrait être monté de préférence avec les ailettes orientées verticalement afin que la chaleur s'en éloigne rapidement en s'élevant.
Claquements ou bruits lors de la mise en marche/arrêt de l'amplificateur	<ul style="list-style-type: none"> ■ 'Course à la mise en marche' - déconnectez la ligne de déclenchement de l'autoradio et mettez en marche/arrêt à l'aide d'un câble temporaire pour alimenter les bornes. Si le bruit s'arrête, l'autoradio se met en marche/arrêt trop lentement. Il s'agit d'un problème d'autoradio qui ne peut être corrigé qu'avec un système de relais temporisé extérieur. ■ 'Coup sourd' de l'autoradio - déconnectez les lignes d'entrée RCA de l'ampli et mettez en marche/arrêt via la ligne de déclenchement de l'autoradio. Si le bruit s'arrête alors que les lignes RCA sont déconnectées, l'autoradio envoie les claquements par les lignes RCA. Il s'agit d'un problème d'autoradio qui ne peut être corrigé qu'avec un système de relais temporisé extérieur.
Craquements de l'autoradio en AM/FM mais pas en mode cassette ou CD	<ul style="list-style-type: none"> ■ Assurez-vous qu'il s'agit d'un bruit radié en plaçant une radio FM portable près du moteur de la voiture. Si le bruit est émis, il s'agit d'un problème avec le véhicule, pas avec votre système. Recherchez la source du problème afin de l'isoler ou de le contourner. ■ Les bougies et leurs câbles ont-ils plus de trois ans ? Ils peuvent radier un bruit substantiel lorsqu'ils sont anciens. ■ Vérifiez que le bloc moteur est correctement mis à la masse au châssis. ■ Vérifiez que le capot du compartiment du moteur est mis à la masse par une bride de masse tressée.
Bruit de gémissement dont le ton ou le volume varient en fonction de la vitesse du moteur, ET en fonction du réglage de volume de l'autoradio (il s'agit généralement d'un problème d'installation de l'autoradio)	<ul style="list-style-type: none"> ■ Vérifiez que toutes les connexions d'alimentation et de masse sont propres au niveau de l'autoradio. ■ Redispensez les câbles d'alimentation et de masse de l'autoradio vers l'amplificateur afin qu'ils aient la même source (ou une masse 'commune'). ■ Vérifiez que la surface de contact de la connexion de masse est propre, que toute la peinture en a été retirée et qu'aucune oxydation ne s'y est accumulée avec le temps. ■ Vérifiez qu'il existe un type de filtrage de l'alimentation à l'arrière de l'autoradio. Sinon, installez-en un.
Bruit de gémissement dont le ton ou le volume varient en fonction de la vitesse du moteur, MAIS PAS en fonction du réglage de volume de l'autoradio (il s'agit généralement d'un problème d'installation de l'amplificateur)	<ul style="list-style-type: none"> ■ Vérifiez que les connexions de masse au niveau du châssis sont propres et serrées, dénuées d'oxydation, de peinture et de graisse. ■ Redispensez les câbles d'alimentation et de masse de l'autoradio vers l'amplificateur afin qu'ils aient la même source (ou une masse 'commune'). ■ Contournez tous les appareils se trouvant entre l'autoradio et l'amplificateur (par exemple, l'égaliseur), afin de vous connecter directement à l'autoradio. Si le bruit s'arrête, le processeur de signaux a un problème. ■ Recherchez des 'boucles de masse' au niveau du signal - déconnectez le blindage externe à une extrémité du câble RCA (par exemple, côté autoradio). Si le bruit s'arrête, modifiez les câbles en conséquence. Les différences de tension qui existent aux connexions de masse des composants ne peuvent PAS être corrigées autrement que par de tels découpages du blindage ou par un 'isolateur de boucles de masse', qui est un petit transformateur.

INFORMATIONS SUR LA GARANTIE LIMITÉE (États-Unis seulement)

Robert Bosch Corporation garantit que les produits audio neufs pour automobiles qu'elle distribue aux États-Unis par des revendeurs Blaupunkt autorisés, ou importés en tant qu'équipement d'origine par les constructeurs de voitures, sont dénués de tout défaut matériel ou de main-d'œuvre, en accord avec les clauses suivantes :

Pendant une période de douze (12) mois après livraison à vous, acheteur consommateur initial, nous réparerons ou remplacerons à notre discrétion et sans frais de votre part tout produit audio pour automobile qui, dans des conditions d'utilisation et d'entretien normales s'avère comporter des défauts matériels ou de main-d'œuvre. Toutefois, cette garantie ne couvre pas les dépenses encourues lors du démontage ou de la réinstallation de tout produit audio pour automobiles, que ce produit s'avère défectueux ou non, et ne couvre pas les produits qui n'ont pas été achetés à un revendeur Blaupunkt autorisé. Cette garantie est limitée à l'acheteur consommateur initial et n'est pas transférable. Les produits audio pour automobiles réparés ou remplacés assumeront en ce qui concerne cette garantie l'identité de l'original et la garantie ne sera pas étendue en ce qui concerne ces produits.

Afin de faire agir les droits que vous confère cette garantie, contactez le service de réparation Blaupunkt autorisé le plus proche ou notre bureau le plus proche. Une preuve d'achat datée ou toute autre preuve que le produit se trouve sous garantie sera requise afin que la garantie soit honorée. Emballez soigneusement l'appareil et envoyez-le port payé au service de réparation. Pour obtenir de plus amples informations, écrivez à Robert Bosch Corporation, 2800 South 25th Avenue, Broadview, Illinois, 60153, à l'attention de Blaupunkt Customer Service Department ou appelez le 1-800-266-2528.

Les causes d'exclusion spécifiques de cette garantie sont les défaillances dues à une utilisation incorrecte, négligente, ou abusive, à une utilisation ou à une installation inappropriée, à la chute ou à l'endommagement, à des réparations ou à des pièces non autorisées, ou le manquement aux consignes d'entretien ou aux activités d'entretien normales. Les activités de maintenance normales pour un produit audio pour automobiles consistent, mais ne sont pas limitées au nettoyage et à d'autres activités d'entretien mineures et aux ajustements décrits dans le manuel du propriétaire ou qui sont requis pour que l'appareil continue à fonctionner normalement. Sont aussi exclues de cette garantie la correction d'installations incorrectes et l'élimination de toute interférence électromagnétique externe. Cette garantie énonce les seuls recours à l'égard des produits qu'elle concerne. Nous ne saurons être tenus responsables pour tout dommages accessoires, consécutifs, spéciaux ou punitifs dus à la vente ou à l'utilisation de tout produit audio Blaupunkt pour automobiles, que la cause d'action tienne d'une clause contractuelle ou d'une action délictuelle. Toute tentative d'altération, de modification, ou d'amendement de cette garantie est nulle à moins qu'elle soit autorisée par écrit par un représentant officiel de Robert Bosch Corporation.

CETTE GARANTIE REMPLACE TOUTE AUTRE GARANTIE OU DÉMARCHE, IMPLICITE OU EXPRESSE, Y COMPRIS TOUTE GARANTIE IMPOSÉE PAR LA LOI, QU'IL S'AGISSE DE COMMERCIALISATION OU D'ADAPTATION À UN USAGE PARTICULIER OU AUTRE ET NE PRENDRA EFFET QUE POUR LA PÉRIODE EXPRESSÉMENT ÉNONCÉE DANS CETTE PRÉSENTE GARANTIE.

Dans l'éventualité où une certaine clause, ou toute partie ou portion de cette garantie serait invalide, nulle ou non applicable, une telle exclusion n'affectera pas les parties ou portions restantes de cette clause ou de toute autre clause.

AVERTISSEMENT AUX PROPRIÉTAIRES CALIFORNIENS : Si votre produit audio Blaupunkt pour automobiles nécessite un service de réparation sous garantie et qu'aucun service de réparation autorisé ne se trouve raisonnablement proche de vous, vous pouvez retourner le produit défectueux au revendeur auprès duquel vous l'avez acheté, ou vous pouvez le retourner à tout revendeur de produits audio Blaupunkt pour automobiles. Le revendeur pourra, à sa discrétion, réparer, remplacer ou rembourser le prix d'achat de tout produit audio Blaupunkt pour automobiles qui s'avère défectueux dans des conditions d'utilisation normales. Si le revendeur ne consent pas à réparer, remplacer, ou à vous rembourser une partie de l'argent, vous pouvez apporter votre appareil dans n'importe quel atelier de réparation et le faire réparer à nos frais à moins que le coût de la réparation excède le prix déprécié de l'appareil, mais vous devez prendre contact avec Blaupunkt afin d'en recevoir l'autorisation avant que votre appareil ne soit réparé.

ROBERT BOSCH CORPORATION
BLAUPUNKT CUSTOMER SERVICE
2800 SOUTH 25TH AVENUE
BROADVIEW, IL 60155
TEL: 1-800-266-2528

ASSISTANCE TECHNIQUE DE BLAUPUNKT

Ces amplificateurs sont conçus pour être installés facilement et rapidement dans la plupart des véhicules. Si vous rencontrez des problèmes d'installation, nous nous engageons à faire tous les efforts raisonnables pour vous venir en aide, vous, le client final ou le technicien d'installation, afin que vous puissiez installer correctement ces composants. Avant de nous appeler, veuillez revoir ce manuel du propriétaire afin d'y trouver les réponses à vos questions.

Dû à l'espace limité de ce manuel, nous offrons également sur notre site Internet des informations supplémentaires relatives à l'installation et aux systèmes. Connectez-vous à notre site Web à l'adresse <http://www.BlaupunktUSA.com> via la connexion Internet standard de votre fournisseur d'accès Internet local ou d'un autre fournisseur (par exemple, America Online). Nous offrons sur ce site des informations sur la conception de systèmes, sur l'intégration aux véhicules et, dans la mesure du possible, sur la compatibilité des produits, ainsi que des informations approfondies sur la conception et l'installation de haut-parleurs. Pour les constructeurs plus aventureux, nous proposons également notre logiciel informatique 'BlauBox' d'assistance à la conception d'enceintes de haut-parleurs. Ce programme peut être téléchargé et utilisé à titre GRATUIT. Nous effectuons également la 'liaison' vers d'autres sites procurant une assistance théorique ou technique à l'attention des consommateurs et des techniciens intéressés.



LE AGRADECEMOS QUE HAYA ESCOGIDO BLAUPUNKT!

Nuestras felicitaciones! Usted es ahora el dueño de un amplificador excepcional para sistemas de audición para automóviles, fabricado en Blaupunkt por especialistas en audio y entusiastas del sonido. Nuestro cuerpo de ingeniería ha dedicado una cantidad considerable de tiempo refinando los amplificadores de nuestra serie PCA, con el fin de introducir al mercado equipos de excelente sonido a precios módicos. Con estos productos nuestro enfoque principal es la mejor reproducción del sonido, equilibrada con un diseño durable e instalación flexible.

No solamente le ofrecemos un gran producto, sino que también, lo apoyamos con un manual del usuario bien preparado. Este manual puede usarse como una guía de enseñanza, gracias a sus explicaciones breves, pero informativas, sobre el amplificador y su sistema de diseño. Al mismo tiempo, nos preocupamos por que el usuario final utilice las técnicas apropiadas de instalación, para que pueda obtener el más alto nivel de funcionamiento de sus nuevos productos de audición. Pero nuestra MAYOR preocupación es su seguridad en el proceso de instalación. Puesto que los distribuidores al usuario de Blaupunkt tienen las herramientas y la experiencia para realizar una instalación óptima y segura, recomendamos siempre que ellos hagan la integración final del sistema al vehículo. Pero si usted mismo desea instalar estos productos, le rogamos que lea este manual en su totalidad y que observe las precauciones que el manual prescribe.

BENEFICIOS Y FUNCIONES DEL AMPLIFICADOR TIPO PCA

Hay una presión constante sobre los amplificadores de categoría inicial para que puedan “codearse con los grandes” no obstante su bajo costo. Pocas veces pueden hacerlo... hasta ahora.

La solidez de los diseños Clase AB le aseguran un sonido “ante sus ojos” sin que tenga que preocuparse mucho por la confiabilidad y el funcionamiento. Los diseños robustos de la línea de amplificadores, y su admirable frecuencia de entrada y la ganancia en la adecuación de la flexibilidad, hacen posible cualquier configuración de sistema. La gran potencia y los conductores de la bocina aseguran que todo ese poder que entra salga en forma de mejor sonido posible.

Si en la instalación ocurriere algún error, no se preocupe. Todas las salidas de corto circuitos y los cortos a tierra o de 12 voltios están protegidas, y una luz de seguridad que se lee “Protect” se lo indicará. Paz mental y gran poder, a bajo precio – no siga buscando.

- Vatios RMS, reales. No necesita de vatios “artificiales”. Esto es algo real en un excelente amplificador, no necesitamos exagerar – cumple lo que promete.
- Diseños clase AB robustos, con salidas finales reforzadas garantizan un funcionamiento sólido y confiable.
- Grandes absorbentes de calor que le garantizan la adecuada disipación del calor sin importar la carga (además se ven muy lindos).
- Los terminales de la energía y de la bocina son tamaño gigante, chapados en oro para proveerle conexiones confiables, de baja resistencia.
- Luz de protección LED que le notificará en caso de que la unidad se apague a causa de problemas de instalación .
- Voltajes de entrada de largo alcance de 0.3-6.0Vrms.
- Configuraciones de frecuencia de traspaso continuamente variables.
- 2 ohmios de salida estable (en modo sin puente)



CONSIDERACIONES DE SEGURIDAD

Recomendamos siempre que usted haga instalar en forma profesional sus amplificadores Blaupunkt, pero a menudo la instalación es tan fácil que el usuario puede instalar el aparato correctamente, sin ningún problema. Pero, cualquiera que sea la persona que lo instala, usted debe asegurarse que revisa los siguientes aspectos antes de proceder con la instalación:

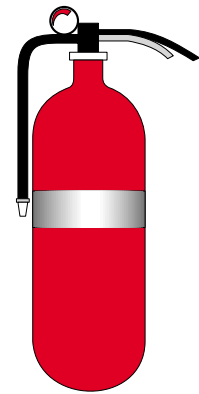
- **LEA EL MANUAL!** Obtenga un entendimiento claro del producto y de las limitaciones de la instalación antes de siquiera tocar un destornillador.
- **USE ANTEOJOS DE SEGURIDAD CUANDO HACE LA INSTALACION** - Cualquier partícula que se desprenda es siempre peligrosa.
- **PROTEJA EL VEHICULO** - Desconecte siempre el cable del polo negativo de la batería antes de iniciar cualquier trabajo de instalación. Esto evita posibles corto circuitos eléctricos (y posibles incendios).
- **CALOR** - Mantenga siempre los componentes de audio lejos de las partes del vehículo que normalmente se calientan, tales como mangueras, alambres de alta corriente y componentes del sistema de frenado.
- **HAGALO CON SUFICIENTE TIEMPO** - Apresurarse para terminar la instalación casi siempre termina con problemas.
- **NO SE SOMETA A NIVELES MUY ALTOS DE SONIDO POR UN TIEMPO PROLONGADO** - Estos amplificadores, usados con altavoces de alta eficiencia, cualquiera que sea su procedencia, potencialmente pueden causar pérdida permanente de la audición cuando se escuchan a máximo volumen por varias horas.



PRECAUCIONES DE INSTALACIONES

Antes de principiar a desarmar su nuevo y bello automóvil necesita algunos conocimientos básicos sobre la instalación y alguna destreza en el uso de herramientas comunes, de mano y eléctricas. El observar ciertas sugerencias básicas de instalación y tomar ciertas precauciones evitarán posibles daños al vehículo y evitarán posibles incendios.

- **NUEVAMENTE LEA EL MANUAL!** Hay mucha información útil que le ahorrará tiempo y le evitará problemas más tarde.
- **CUBRA LAS AREAS DEL VEHICULO DONDE VA A TRABAJAR** - Use cubiertas o cobijas sobre los guardafangos para proteger las áreas de trabajo y evitar rayarlas o dañarlas.
- **DESCONECTE EL ALAMBRE AL POLO NEGATIVO DE LA BATERIA** - Evite chispas e incendios, por favor!
- **"REVISE" LA INSTALACION** - Antes de usar cualquier herramienta o remover cualquier componente del vehículo, tómese cinco minutos para revisar la forma en que desea hacer la instalación (por ejemplo, verifique que un amplificador cabe en el lugar donde usted quiere instalarlo, antes de desarmar todo el interior).
- **"REVISE" EL VEHICULO** - Antes de perforar agujeros o cortar cualquier superficie, asegúrese de que no hay líneas hidráulicas o de combustible detrás de la superficie que desea cortar. También, asegúrese de que no hay alambres directamente detrás o cerca de la posible área de montaje. (Recuerde ... los tornillos pueden sobresalir una a dos pulgadas detrás de la superficie de montaje.)
- **ASEGURESE DE QUE HAY SUFICIENTE ESPACIO** Antes de hacer un corte o una perforación asegúrese de que existe físicamente el espacio necesario para acomodar el amplificador en la ubicación deseada. Verifique que hay suficiente espacio libre en la plataforma trasera del vehículo, con respecto a las barras de torsión y otros elementos estructurales del vehículo.
- **DIFERENTES VEHICULOS TIENEN ARMADOS DIFERENTES** - Cada fabricante de automóviles usa técnicas de armado diferentes. Tenga cuidado al remover o modificar paneles de bocel y superficies de montaje, ya que a menudo usan tornillos y sujetadores de diseño especial que pueden ser difíciles de reemplazar si se rompen o se pierden.
- **TENGA CUIDADO CON LA DIPOSICION DEL CABLEADO** - Cuando instale el alambrado de audio, asegúrese que los alambres del RCA y del altavoz se pasan tan lejos como sea posible de las líneas de alta corriente del vehículo y de los amplificadores. Esto evitará que entren ruidos en el sistema de audio, así como también, evitará posibles daños al alambrado mismo del vehículo.
- **TENGA CUIDADO CON TODAS LAS CONEXIONES** - Cuando haga conexiones asegúrese de que cada conexión queda limpia y fijada apropiadamente. Observe cuidadosamente las marcas que indican polaridad para asegurar el funcionamiento apropiado del aparato.
- **PRECAUCION - LOS TANQUES Y LINEAS DE COMBUSTIBLE ESTAN UBICADOS DIRECTAMENTE DEBAJO DE LA PARTE TRASERA EN MUCHOS VEHICULOS. VERIFIQUE QUE HAY SUFICIENTE ESPACIO ANTES DE CONSIDERAR LA INSTALACION DEL APARATO EN ESA UBICACION.**

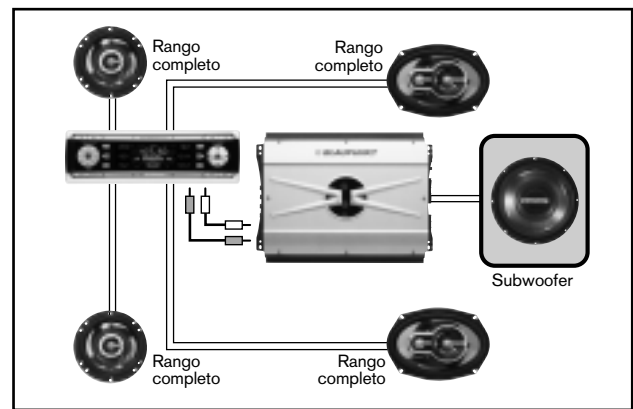


PLANIFICACION DEL SISTEMA

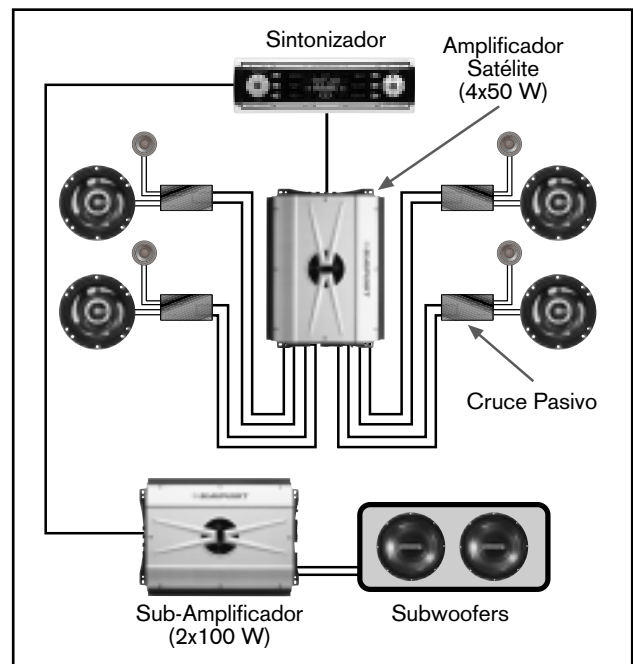
Antes de alambrear un sistema de audio que pudiera no alcanzar la calidad de sonido que usted desea, asegúrese de escoger el concepto que satisface sus requerimientos de audición. Los sistemas básicos, un receptor con 4 x 20 vatios internamente y 4 altavoces coaxiales pueden ser adecuados para muchos oyentes. Sin embargo, cuando usted desea "sentir" realmente la música va a necesitar alguna combinación de amplificador de subwoofer y altavoz. Aunque algunas personas puedan lanzarse a incorporar un amplificador para actuar sobre los altavoces coaxiales de atrás, una mejor selección es normalmente un sistema de amplificador de subwoofer y su altavoz que suplementa el sistema de cuatro altavoces, como se muestra en el dibujo de al lado. Tal sistema proporciona una mejora sorprendente en la calidad del sonido debido al aumento dramático que normalmente se obtiene en la respuesta de los graves (bajos).

El siguiente escalón dramático en calidad de sonido, es el sistema de "canales múltiples" que ofrece un rango dinámico más amplio para los sonidos medios y altos, debido a la mayor potencia y mayor respuesta de los graves con altavoces múltiples de graves y mayor potencia. Con este sistema, la imagen de estéreo y la sensación total del oyente usualmente tiene más vida, gracias a la mejor calidad tonal que proporcionan los altavoces de mediana frecuencia y el altavoz de altos, así como también, su mejor ubicación.

Al instalar este sistema, sin embargo, la complejidad aumenta debido a que se añaden cruces activos y pasivos que toman tiempo en la instalación y pueden introducir ruido en el sistema, debido a la captación de posibles señales de ruido. Pero los resultados de este sistema pueden ser dramáticamente satisfactorios.



Sistema suplementario de subwoofer

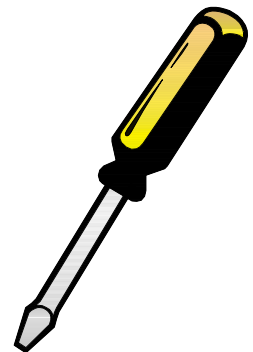


Sistema de canales múltiples de alto rendimiento

HERRAMIENTAS PARA LA INSTALACION

Para la mayor parte de las instalaciones, herramientas sencillas de mano son suficientes para la instalación fuera de fábrica de un amplificador. Según la ubicación donde quiera montarse el aparato, usted necesitará herramientas eléctricas para taladrar y cortar metales y plástico. La lista que se presenta a continuación es un buen punto de partida:

- cinta de medir y regla
- marcador y punzón
- destornilladores, Phillips y de aleta plana (de tamaños pequeños y medianos)
- atados de amarradores de alambre de nilón
- alicates: de cierre estándar y de cierre en punta (pinzas)
- barra para remover boceles de las puertas
- tijeras de metal o herramienta mordedora para cortar metales delgados y de mediano grosor
- cortadores de alambre, peladores de alambre, cinta aislante eléctrica, alicates de plegar y terminales de plegar apropiados
- taladro eléctrico con juego apropiado de brocas



ALAMBRADO EN EL VEHICULO

FUSIBLES EN EL VEHICULO

Para seguridad DEBE instalarse en línea con el amplificador o los amplificadores, inmediatamente después de la batería, un fusible de alta corriente o un interruptor de circuito, para prevenir el daño al vehículo que se produciría si inadvertidamente se produjera un corto circuito en la línea de la batería con el chasis del vehículo. El cuadro que aparece a la derecha muestra el tamaño de fusible maestro que se recomienda para un sistema corriente de audio según su nivel de potencia de salida, en rms (amperios efectivos).

CUADRO DE ALAMBRADO PARA ALTAVOZ (Tamaño del Fusible Potencia Total del Sistema de Amplificador en Vatios "rms")				
	100 W	200 W	500 W	1000 W
Tamaño del Fusible (en amperios)	20 A	30 A	50 A	100 A

ALAMBRADO DE POTENCIA

La mayor parte de los vehículos fabricados a partir de 1990 tienen suficiente capacidad de corriente para alimentar el amplificador. Con excepción de los sistemas que pasen de los 500 vatios rms., el sistema de carga y la batería instalados en fábrica deben ser fácilmente suficientes para alimentar el aparato, si éste está adecuadamente instalado. Debe escogerse el tamaño apropiado de alambre para asegurar que éste entregue suficiente corriente al amplificador. Los calibres de alambre que se recomiendan deben aumentarse cuando se trate de alimentar sistemas que requieran mayor potencia. (Calibres de alambre mayores que los que aquí se anotan, normalmente son un desperdicio de tiempo y dinero, pues no producen un mejor rendimiento del sistema).

CUADRO DE ALAMBRADO DE ALIMENTACIÓN Y CONEXIONES A TIERRA (Calibre del Alambre para la Potencia Total del Sistema en Vatios "rms")				
LONGITUD DEL ALAMBRE	100 W	200 W	500 W	1000 W
5 ft. / 1.5 m	12	10	8	4
10 ft. / 3.0 m	12	10	8	4
15 ft. / 4.5 m	10	8	6	2
20 ft. / 6.0 m	10	8	6	2
25 ft. / 7.5 m	10	8	4	0 or 00

El diámetro del alambre debe aumentarse (el número que identifica el calibre disminuye) para los sistemas de mayores requerimientos de potencia. También, cuando el recorrido del alambre aumenta, el diámetro debe también aumentar. Los calibres de alambre que se indican en los cuadros adyacentes permiten una caída de voltaje de 0.5 voltios CD en el recorrido del cable, caída que el oyente promedio no alcanza a percibir.

ALAMBRADO DE LOS ALTAVOCES

En forma similar al alambrado de potencia, el tamaño del alambre para los altavoces varía según la cantidad de potencia requerida y la longitud del cable hasta el altavoz. El cuadro de calibres de alambre que se muestra a la derecha indica el tamaño mínimo recomendado para el alambre para un solo canal de audio impulsando el altavoz, a una cierta distancia, con una pérdida máxima de potencia de 0.5 db, que es el umbral de audibilidad. (Un calibre de alambre mayor que los anotados en la tabla, generalmente es una pérdida de tiempo y de dinero puesto que no ofrece ninguna mejora en el funcionamiento del altavoz.)

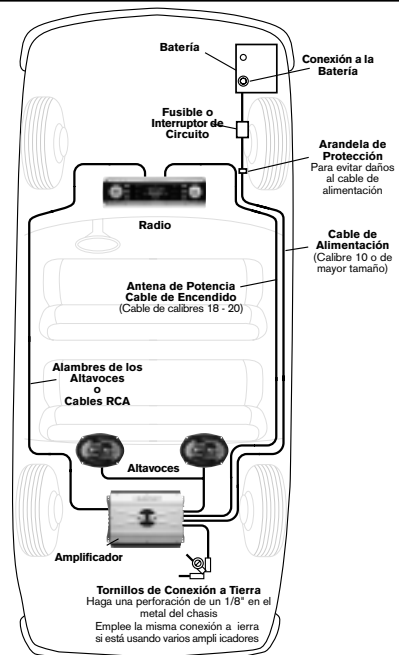
CUADRO DE ALAMBRADO PARA ALTAVOZ (Tamaño del Fusible Potencia Total del Sistema de Amplificador en Vatios "rms")				
LONGUEUR DE CÂBLE	20 W	50 W	100 W	200 W
5 ft. / 1.5 m	18	16	16	16
10 ft. / 3.0 m	18	16	16	16
15 ft. / 4.5 m	16	16	16	14
20 ft. / 6.0 m	16	16	16	14
25 ft. / 7.5 m	16	16	14	12

ALAMBRADO FINAL EN EL VEHICULO

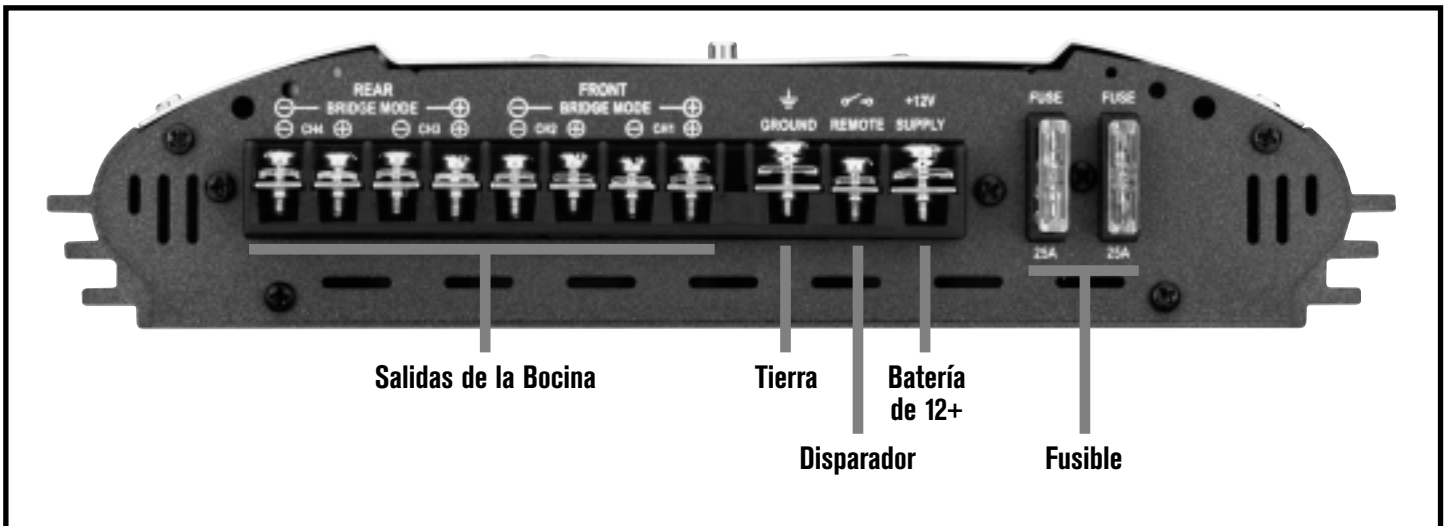
Los requisitos actuales, para un sistema de audio mejorado, especifican que debe instalarse una línea dedicada de potencia desde el amplificador directamente hasta la batería del vehículo. Esta línea NO DEBE llevarse al panel de fusibles del vehículo, sino que debe estar conectada directamente a la batería. NO LA LLEVE tampoco al alternador. DEBE INSTALARSE un fusible en la batería, de amperaje adecuado, según se indica en el cuadro de arriba.

En cuanto al alambrado final de la señal, asegúrese de llevar los cables de audio por el costado del vehículo opuesto al que lleva las líneas de potencia del mismo, para evitar tomar ruido de estas líneas. También, trate de llevar los cables de audio por una ruta distante a las fuentes de ruido, tales como los computadores del motor y los computadores de los frenos ABS.

Las conexiones apropiadas a tierra son importantes para asegurar el flujo adecuado de la corriente. Asegúrese de que ha removido de la superficie donde hace la conexión todo rastro de la pintura, para efectuar una conexión eléctrica sólida



CONEXIONES Y CONTROLES



CONEXIONES DE POTENCIA:

TOMA DE TIERRA - Esta es la conexión de tierra de corriente alta al chasis del vehículo. Se debería sujetar a una conexión de tierra limpia en el vehículo, que es capaz de manejar cargas de corriente altas. El alambre no debería ser más largo de tres pies (1 metro)

+12v - Una línea de corriente alta encaminada directamente desde la batería es altamente recomendada para asegurar corriente y voltaje adecuados. Esta línea DEBE ser encaminada por medio de un fusible dedicado de algún tipo y este fusible debería estar ubicado inmediatamente al lado de la fuente de potencia. Este fusible dentro de línea es usado para proteger el vehículo si ocurre un cortocircuito al chasis.

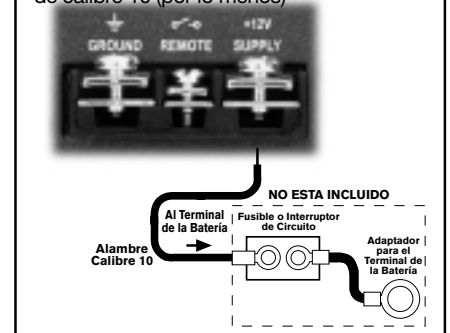
ACTIVADOR - Esta línea le indica al amplificador que tiene que encenderse y es interrumpida remotamente desde la radio que normalmente proporciona una salida "activadora" de amplificador. Se requiere que esta línea vaya "alta" (+12V) para encender el amplificador. Si esta línea no está disponible, use el activador de la antena de potencia que normalmente está disponible en la mayoría de radios.

FUSIBLE - Este fusible es únicamente para situaciones catastróficas si el amplificador comienza a autodestruirse o incurre en situaciones de instalación donde cantidades grandes de corriente se requieren del amplificador más allá de sus límites de diseño. Aunque otro fusible debería ser instalado dentro de línea con la línea de potencia alta en la batería, este fusible montado en amplificador DEBE permanecer en el circuito para proteger el amplificador.

SALIDAS DE PARLANTE - El amplificador está conectado a parlantes de impedancia apropiados por medio de estos avances. Es IMPERATIVO que estos avances NO estén conectados o toquen el chasis del vehículo de ninguna manera o el amplificador será dañado. Los avances (+) y (-) del amplificador no están de ninguna manera interconectadas entre sí. Además, NINGUNO de los avances puede tocarse entre sí, ni tocar tierra, ni tocar +12V, o daños pueden ocurrir al amplificador o vehículo.

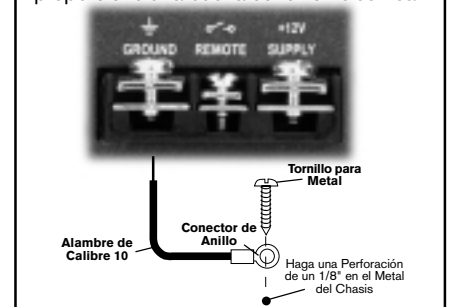
Terminal de Potencia (+12V)

Conecte directamente al terminal positivo de la batería del vehículo con un alambre de calibre 10 (por lo menos)



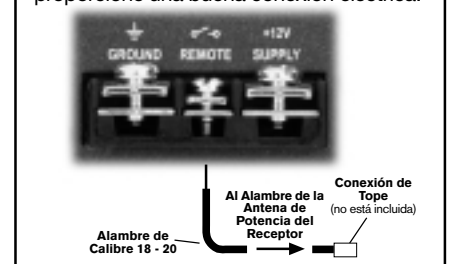
Terminal a Tierra

Haga la conexión a tierra en un buen punto de chasis. La conexión a tierra debe ser limpia sobre metal sin pintura para que proporcione una buena conexión eléctrica.

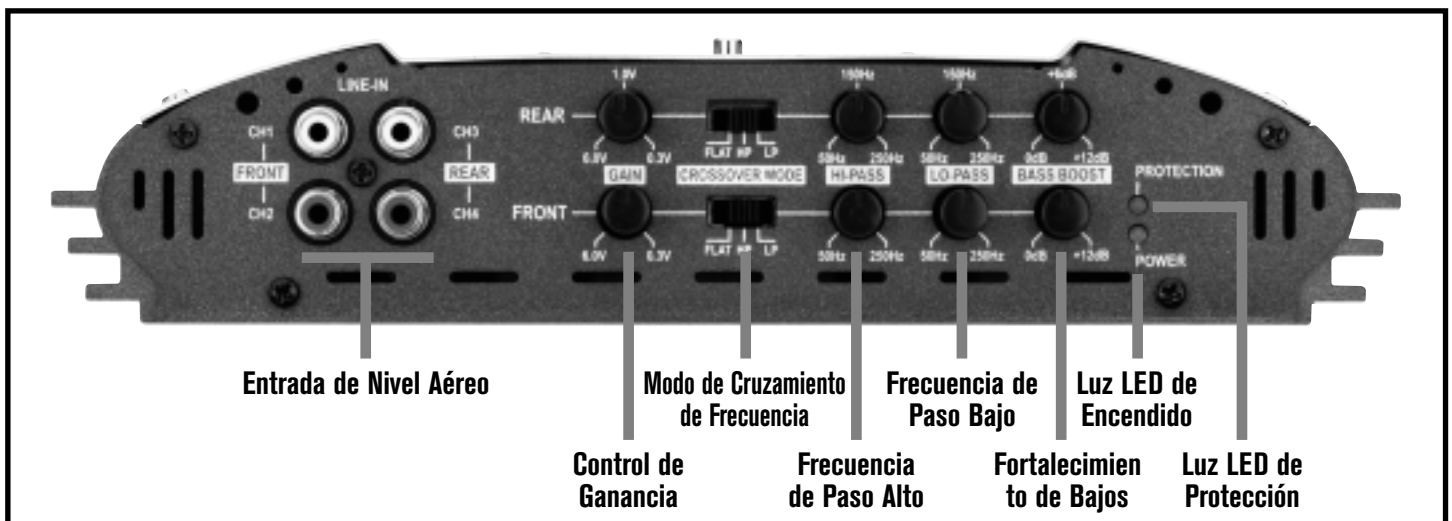


Terminal Remoto

Haga la conexión a tierra en un buen punto de chasis. La conexión a tierra debe ser limpia sobre metal sin pintura para que proporcione una buena conexión eléctrica.



CONEXIONES Y CONTROLES



ENTRADAS DE NIVEL DE LINEA - Las entradas que se usan más comúnmente en el mundo de posventa son entradas de nivel de línea tipo RCA. Estas entradas pueden manejar hasta aproximadamente 6 Voltios rms sin impulsar excesivamente el amplificador. Tales voltajes altos son encontrados raramente de unidades de cabeza de audio de automóvil, por lo tanto éste es un valor muy cómodo. Pero, si el usuario necesita impulsar el amplificador directamente desde los avances de nivel de parlante, use el "Adaptador de Nivel Alto" ("High Level Adapter") suministrado para conectar con el amplificador.

POTENCIA EN LED ("POWER ON LED") - Esta luz se encenderá cuando el amplificador recibe una señal de encendido de +12V de la radio. Si el amplificador está alambrado apropiadamente, pero la luz no se enciende, puede haber una condición de cortocircuito contra la cual el amplificador se está protegiendo.

PROTECCIÓN LED - Esta luz se enciende si el amplificador percibe problemas severos, tal como un corto circuito en la bocina.

AUMENTO DE BAJO - Este control proporciona bajo adicional en el área de 45Hz para dar un "sentido" de punta baja más fuerte al bajo. Una vez que se enciende, esto también permitirá que el amplificador sea impulsado dentro de distorsión más rápidamente, así que el usuario debe ser consciente de esto.

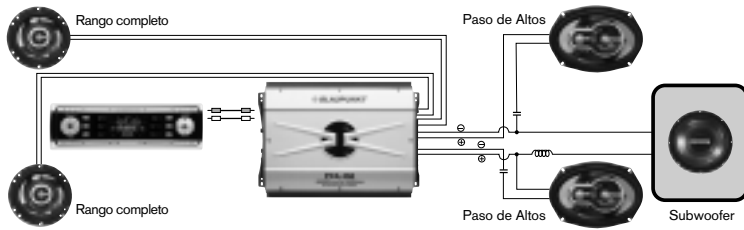
CONTROL DE GANANCIA - El control de ganancia permite una gama de entrada de 0,3 - 0,6 Voltios. Esto quiere decir que si la configuración es 0,3V, únicamente se necesita 0,3 Voltios para impulsar el amplificador a una salida plena. (Una tal configuración baja permite que el amplificador sea impulsado excesivamente y más susceptible a ruido así que una posición mediana es altamente recomendada para la mayoría de radios).

FRECUENCIA DE PASE BAJO - Si el selector de modo está en la posición "LP" el amplificador pasa únicamente sonido de frecuencia baja. El límite superior para tal sonido se configura por medio de este control. Para bajo, un valor un poco por debajo de 100Hz es normalmente el mejor.

FRECUENCIA DE PASE ALTO - Si el selector de modo está en la posición "HP" el amplificador pasa únicamente sonido de frecuencia mediana y alta. El límite inferior para tal sonido se configura por medio de este control. Una configuración común es un poco por encima de 100Hz.

MODO CRUCE - Dependiendo del diseño de sistema que se selecciona, usted necesita configurar el amplificador en el "modo" apropiado, ya sea LP, Fullrange ("Gama Plena"), o HP. Las configuraciones de frecuencia de pase bajo y pase alto son explicadas arriba. La configuración "full-range" ("gama plena") simplemente permite que el amplificador pase todas las frecuencias audio sin ningún tipo de aplicación de filtro de cruce. (Esto es común con parlantes coaxiales de gama plena de 6 x 9 pulgadas, por ejemplo.)

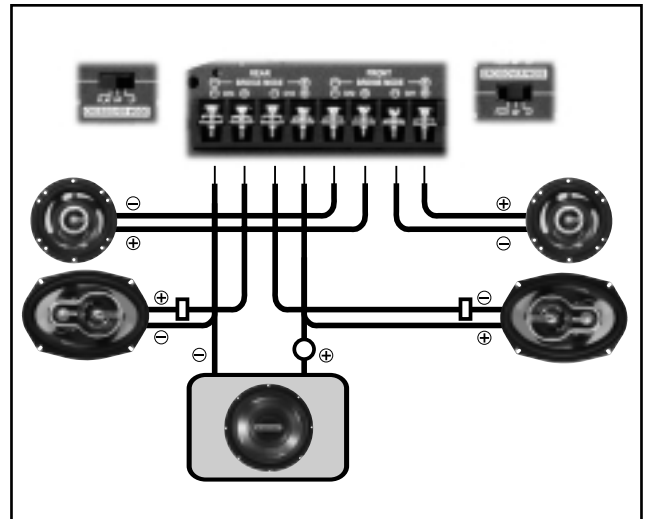
CONFIGURACION DEL SISTEMA #1



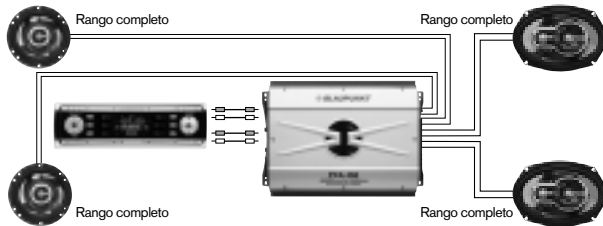
**Combinación de 5 canales
(2 canales PA + 3 canales pasivos de modos múltiples)**

El sistema de modalidad múltiple se asemeja al sistema satélite con subwoofer, pero a un precio muy módico. Este amplificador es capaz de impulsar altavoces en modalidad estero y, al mismo tiempo, enviar las bajas frecuencias a un altavoz dedicado de subwoofer. Insertando inductores (bobinas) y condensadores, el resultado es una solución de precio moderado para generar un sistema de "5" canales con un amplificador de 4 canales.

Con la utilización de componentes pasivos (bobinas y condensadores) la instalación se hace más simple y el sistema funciona adecuadamente para la mayor parte de los oyentes. Este sistema no funciona con la calidad de un sistema "activo" porque la atenuación lenta (roll-off) de la respuesta de frecuencia produce una cierta cantidad de traslape del espectro de sonido entre los satélites y los subwoofers. Es importante recordar que aunque el resultado es sorprendentemente agradable, este es un sistema intermedio y NO FUNCIONARA tan eficientemente como un sistema dedicado de 5 canales con cruces electrónicos.



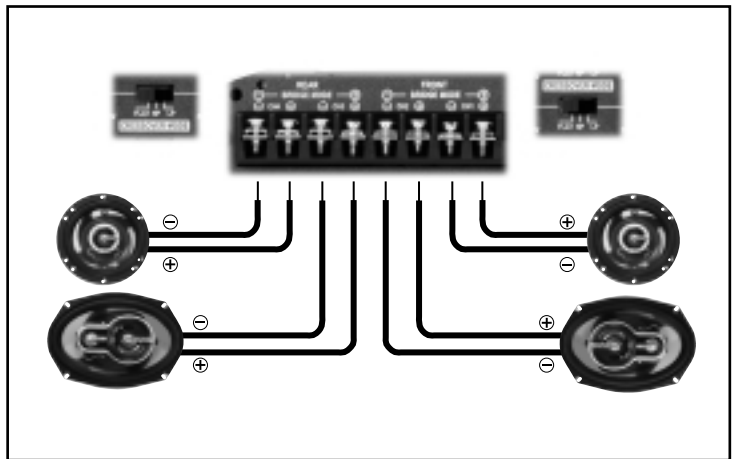
CONFIGURACION DEL SISTEMA #2



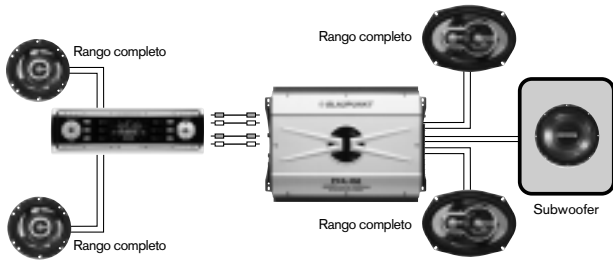
Cuatro canales de margen, HP

Muchos oyentes únicamente necesitan una cantidad ligeramente mayor en el volumen de sonido o en el rango dinámico de la música que no fuerce el amplificador más allá del límite de distorsión. Este objetivo simplemente puede alcanzarse en muchas instalaciones aumentando la potencia de los altavoces. PERO, los altavoces deben ser capaces de manejar esta potencia adicional sin sufrir daño.

Estas instalaciones son muy comunes con oyentes que únicamente necesitan sistemas que funcionen con un volumen moderadamente alto. También, este usuario es una persona que simplemente o no puede o desea amplificadores o altavoces adicionales en el vehículo. Este sistema no podrá funcionar tan adecuadamente como un sistema de audio con altavoces y amplificadores adicionales, pero a menudo es una buena solución de compromiso para muchos usuarios.



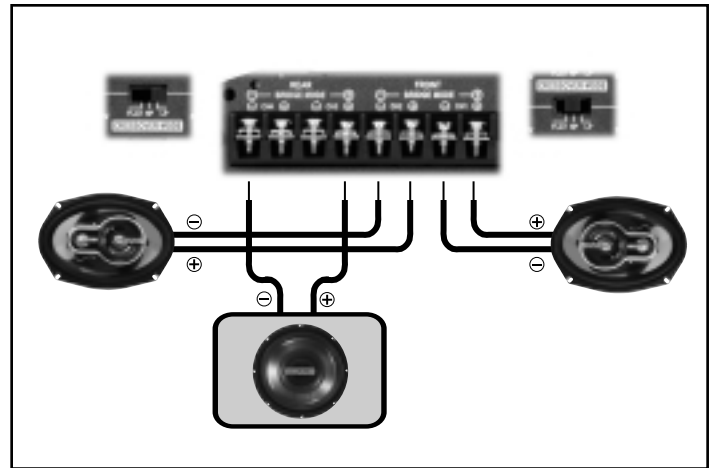
CONFIGURACION DEL SISTEMA #3



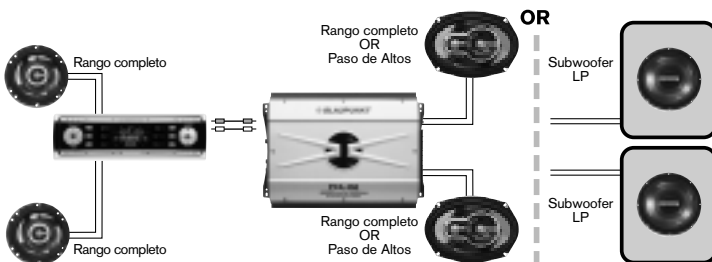
**Combinación de 3 canales
(2 canales PA + 1 canales de subwoofer)**

Lo mismo que en los sistemas de 4 canales ilustrados arriba, los beneficios y la solución de compromiso de esta configuración son similares. Pero esta configuración de sistema ofrece una ventaja adicional gracias al cruce interno de paso de alta frecuencia.

Este cruce reduce los bajos a los altavoces del frente, protegiéndolos así de severas cargas de frecuencias bajas. Un sistema típico con impulsores más grandes en la parte de atrás del vehículo puede entonces llevarse a niveles más altos sin la preocupación de la cantidad de potencia que pueden manejar los altavoces del frente.



CONFIGURACION DEL SISTEMA #4

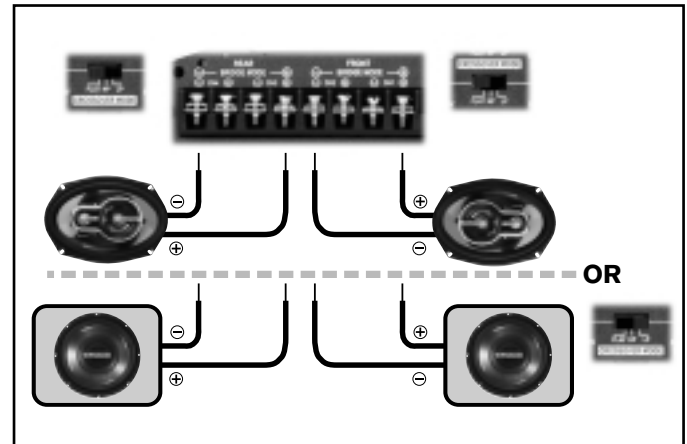


Modalidad de 2 Canales (Rango Completo, LP, HP)

Esta es la instalación más popular para los oyentes que simplemente desean aumentar la potencia de los altavoces de atrás en un vehículo. El funcionamiento que resulta de esta instalación es generalmente un campo de sonido general más fuerte en la parte de atrás del vehículo.

Pero, el mayor beneficio de este sistema es la respuesta adicional de los graves, puesto que el control de graves del radio puede aumentarse sin distorsionar el amplificador. Tal sistema no es necesariamente de mayor volumen en las frecuencias medias y altas, pero funciona con mayor volumen en las frecuencias bajas gracias a la potencia adicional. Esto proporciona una calidad de sonido que en general es más rica y más fuerte para el oyente, sin necesidad de cajas de subwoofer o aparatos electrónicos que pueden complicar el sistema y requerir más espacio. Este sistema NO IGUALA el funcionamiento de un sistema de subwoofer, pero, de seguro, es una mejora de sonido muy placentera.

Con la adición de un filtro de paso alto, este amplificador trabaja bien con un sistema dedicada para un amplificador o un altavoz. Sistemas satélites (5 o 6 pulgadas) funciona mejor sin tanto bojos donde hay el sistema del subwoofer.



RESOLUCION DE PROBLEMAS

A continuación presentamos una guía de resolución de problemas que puede ayudarle en la identificación y corrección de problemas que pueden presentarse en el proceso de instalación. Aunque larga, esta guía no cubre cada uno de los posibles problemas, pero enfoca los más comunes.

SIMTOMA	CAUSAS PROBABLES O ACCION CORRECTIVA
No enciende. (La luz de encendido no se enciende.)	<ul style="list-style-type: none"> ■ Verifique las conexiones al amplificador del polo positivo de 12 voltios, conexión a tierra y líneas de control remoto. ■ Use el voltímetro para verificar los voltajes en los terminales del amplificador. ■ Verifique la conexión principal de corriente en la batería. ■ Verifique el fusible en la línea de alimentación de la batería. ■ Desconecte todos los altavoces, pero no las líneas de alimentación - si la unidad entonces se enciende, probablemente, un altavoz está haciendo cortocircuito o la línea del altavoz está tocando el chasis del vehículo.
Hay corriente pero no hay sonido (la luz de encendido está encendida).	<ul style="list-style-type: none"> ■ Verifique las conexiones de todos los cables de alimentación. ■ Desconecte los altavoces del amplificador, pruebe las líneas del altavoz con un voltímetro digital para verificar que hay más de 2 ohmios por canal (en la modalidad sin puente).
No hay sonido por un canal o por la totalidad de un lado.	<ul style="list-style-type: none"> ■ Verifique el balance de la radio y las posiciones de control del atenuador - verifique que están en el centro. ■ Verifique las conexiones de los altavoces en el amplificador y en el altavoz mismo. ■ Verifique los alambres de entrada y su conexión al amplificador.
Nivel muy bajo de sonido.	<ul style="list-style-type: none"> ■ Verifique que el balance de la radio y los controles del atenuador están en la posición del centro. ■ Verifique la graduación del control de ganancia del amplificador - ajústelo para niveles más altos de salida, si es necesario (graduación de la ganancia cerca a 0.3 voltios). ■ El receptor puede tener un voltaje de salida muy bajo - puede ser necesario usar un "impulsor de línea" para levantarlo.
La corriente en el amplificador se enciende y se apaga repetidamente (con ruido de motor fuera de borda).	<ul style="list-style-type: none"> ■ Asegúrese de que las conexiones de alimentación en la batería están suficientemente apretadas. ■ Verifique que el voltaje de la batería es de más de 11.5 voltios CD en el amplificador, con el motor apagado. (12.6 - 15 voltios cuando el motor está encendido) ■ Verifique todas las conexiones a tierra de la radio y del amplificador. ■ Verifique que las cargas en el altavoz son de más de 2 ohmios en todos los canales (en modalidad sin puente).
El amplificador funciona bien pero se siente muy caliente al tocarlo.	<ul style="list-style-type: none"> ■ El control de ganancia de entrada puede estar muy alto - bájelo a una graduación cercana a 4.0 voltios. ■ Verifique que las cargas en el altavoz son de más de 2 ohmios en todos los canales (en modalidad sin puente). ■ Verifique que la ubicación donde está montado el amplificador permite el libre movimiento de aire en su alrededor. Preferentemente, el amplificador debe estar montado con las aletas en posición vertical de manera que el aire caliente al elevarse se aleje rápidamente del amplificador.
Se oyen chasquidos y ruidos con la radio AM/FM pero no con el pasacintas o el tocadiscos de disco compacto.	<ul style="list-style-type: none"> ■ Encienda con "race" - desconecte el gatillo de la radio y encienda y apague el amplificador con un "jumper" al terminal de potencia. Si el ruido desaparece, la radio está encendiéndose y apagándose muy lentamente. Este es un problema de la radio y únicamente puede corregirse con un sistema externo de relé de demora de encendido. ■ "Radio thump" - desconecte las líneas de entrada RCA del amplificador y enciéndelo y apáguelo por medio del gatillo de la radio. Si el ruido desaparece cuando las líneas RCA no están conectadas, la radio está enviando ruidos a través de las líneas RCA. Este es un problema de la radio que únicamente puede corregirse con un sistema externo de relé de demora de encendido.
El control de encendido y apagado del amplificador hace chasquidos o ruidos.	<ul style="list-style-type: none"> ■ Asegúrese de que el problema es de "ruido radiado", colocando una radio de FM cerca al motor del vehículo. Si capta ruido, este es un problema del vehículo y no de su sistema. Investigue si es posible aislar la fuente del ruido y cubrirla, escudarla o desviar el alambrado. ■ Tienen las bujías y sus alambres más de 3 años? Estos, a menudo, pueden radiar una cantidad sustancial de ruido cuando están viejos. ■ Verifique que el bloque del motor tiene una buena conexión a tierra en el chasis. ■ Verifique que el compartimiento del motor y el capó están conectados a tierra, al chasis del vehículo, por medio de un conector trenzado para conexión a tierra.
Ruido de chillido, con el motor encendido y que varía en frecuencia y volumen según la velocidad del motor, y VARIA con la graduación del volumen de la radio (éste generalmente es un problema de la instalación de la radio).	<ul style="list-style-type: none"> ■ Verifique que todas las conexiones de potencia y conexiones a tierra de la radio están limpias. ■ Instale por otra ruta la alimentación y las conexiones a tierra de la radio de manera que se originen en las mismas conexiones en el amplificador (esto se llama "conexión común a tierra"). ■ Verifique todas las conexiones a tierra y asegúrese de que las superficies de contacto están limpias y libres de pintura o de acumulación de oxidación. ■ Verifique que existe algún tipo de ensamble de filtro de potencia en el respaldo de la radio. Si no, instale uno.
El sonido de chillido, con el motor encendido, varía en frecuencia y volumen cuando se acelera el motor, pero no varía con el control de volumen de la radio (este es generalmente problema de instalación del amplificador).	<ul style="list-style-type: none"> ■ Verifique que las conexiones a tierra de la batería a chasis están limpias, apretadas y quíteles acumulaciones de oxidación, pintura y grasa. ■ Conecte la alimentación y las conexiones a tierra de la radio por otra ruta, originándose en las mismas conexiones al respaldo del amplificador (esto se llama "conexión común a tierra"). ■ Pase de lado todo el equipo entre radio y amplificador (por ejemplo, los ecualizadores) conectando directamente a la radio. Si el ruido desaparece el problema está en el procesador de señales. ■ Verifique el nivel de la señal para "circuitos de tierra" - desconecte el protector externo del cable de RCA en un extremo del cable (por ejemplo, en el extremo que conecta a la radio). Si el ruido desaparece modifique en esta forma el cableado. Hay diferencias de voltaje en las conexiones a tierra de los componentes y estas no son conectables en otra forma que no sea cortando el protector o instalando un sistema externo de "aislador de circuito de tierra", que consiste en un pequeño transformador.

INFORMACION SOBRE LA GARANTIA LIMITADA (PARA LOS ESTADOS UNIDOS UNICAMENTE)

Robert Bosch Corporation garantiza que los productos nuevos de audición de Blaupunkt para automóviles que distribuyen en los Estados Unidos a través de distribuidores autorizados de Blaupunkt, o que se importan como equipo original del vehículo, instalados por el fabricante del vehículo, están libre de defectos de material o de mano de obra, con las siguientes estipulaciones:

Por un período de doce (12) meses después de que el artículo ha sido entregado a usted, el comprador original del artículo, repararemos o a nuestra opción reemplazaremos, sin cargo para usted, cualquier producto del sistema de audición que, bajo condiciones normales de uso y de servicio, resulte defectuoso en materiales o en mano de obra. Sin embargo, esta garantía no cubre los gastos necesarios para la remoción o reinstalación de cualquier producto del sistema de audición, sea que el producto resulte o no defectuoso, y no cubre productos que no han sido comprados a un distribuidor autorizado de Blaupunkt. Esta garantía se limita al comprador original y no es transferible. Los productos del sistema de audio del automóvil que hayan sido reparados y reemplazados asumen la identidad de los originales para los efectos de esta garantía, y esta garantía no se extiende a tales productos.

Para implementar esta garantía, póngase en contacto con el taller de reparaciones autorizado de Blaupunkt o con nuestra oficina más cercana. Un recibo fechado, u otra prueba de que el producto se encuentra dentro del período de garantía, serán necesarios para atender su reclamo. Cuidadosamente empaque la unidad y envíela al lugar de servicio. Para mayor información escriba a Robert Bosch Corporation, 2800 South 25th Avenue, Broadview, Illinois 60153, atención al Departamento de Servicio al Consumidor o llame al 1-800-266-2528.

Específicamente se excluyen de esta garantía las fallas ocasionadas por mal uso, negligencia, abuso, operación o instalación inadecuadas, golpes o caídas, reparaciones o partes no autorizadas, o falla en observar las instrucciones de mantenimiento o llevar a cabo operaciones normales de mantenimiento. Las actividades de mantenimiento normal para sistemas de audición en automóviles incluyen, pero no están limitadas, a limpieza y actividades menores de mantenimiento y ajustes descritos en el manual del usuario, o que se requieran normalmente para obtener operación continua y apropiada. También se excluye de esta garantía la corrección de instalaciones inadecuadas y la eliminación de interferencias causadas por elementos electromagnéticos externos. Esta garantía establece los remedios exclusivos a que usted tiene derecho para los productos cubiertos por la garantía. No nos hacemos responsables por daños incidentales, consecuenciales, especiales o punitivos que surjan de la venta o del uso de cualquier producto Blaupunkt para sistemas de audición en automóviles, sea que este reclamo esté en el contrato o se haga como agravio en juicio civil. Ninguna acción para alterar, modificar, o corregir esta garantía se considerará efectiva a menos que esté autorizada por escrito por un ejecutivo de Robert Bosch Corporation.

ESTA GARANTIA SUSTITUYE CUALQUIER OTRA GARANTIA O REPRESENTACION, EXPRESA O IMPLICITA, INCLUYENDO GARANTIAS IMPLICITAS POR LEY, YA SEAN RELATIVAS A CAPACIDAD DE MERCANTILIZACION O GRADO DE EFECTIVIDAD PARA UN PROPOSITO EN PARTICULAR O PARA CUALQUIER PROPOSITO, Y SERA EFECTIVA UNICAMENTE DURANTE EL PERIODO QUE EXPRESAMENTE SE ESPECIFICA EN LA GARANTIA.

En caso de que cualquier estipulación, o cualquier parte o porción de esta garantía se determine inválida, sin efecto o de otra manera imposible de hacerse cumplir, tal determinación no afectará el resto o demás porciones de tal estipulación o cualquier otra estipulación incluida en la garantía.

NOTA A LOS COMPRADORES EN EL ESTADO DE CALIFORNIA: Si su producto Blaupunkt para sistemas de audición en automóviles necesita reparación bajo los términos de esta garantía, y no existe un centro de servicio autorizado razonablemente cercano a usted, puede devolver la unidad defectuosa al distribuidor que se la vendió o puede devolverla a cualquier distribuidor que venda productos Blaupunkt para sistemas de audición en automóviles. El distribuidor puede, si así lo desea, reemplazar, reparar o devolver el precio de compra de cualquier producto Blaupunkt para sistemas de audición de automóvil que resulte defectuoso bajo condiciones de uso normal. Si el distribuidor no repara, reemplaza o en parte devuelve a usted su dinero, usted puede llevar el producto Blaupunkt para sistemas de audición de automóvil a cualquier taller de reparación, el cual puede reparar su unidad a nuestro costo, a menos que el costo de reparación exceda el valor depreciado de la unidad, pero usted debe ponerse en contacto con Blaupunkt para recibir autorización para adelantar este proceso, antes de ordenar la reparación del producto.

ROBERT BOSCH CORPORATION
BLAUPUNKT CUSTOMER SERVICE
2800 SOUTH 25TH AVENUE
BROADVIEW, IL 60155
TEL: 1-800-266-2528

APOYO TECNICO DE BLAUPUNKT

Esto amplificadores están diseñados para ser instalados rápida y fácilmente en la gran mayoría de vehículos. En caso de que usted tenga problemas de instalación, haremos todo esfuerzo razonable para ayudar, a usted el usuario o al técnico instalador, para que pueda instalar competentemente los componentes del sistema. Antes de llamarnos sírvase revisar cuidadosamente este manual del usuario para ver si aquí encuentra la respuesta a sus preguntas.

Debido al espacio limitado de este manual del usuario, también ofrecemos información adicional con respecto a los sistemas y su instalación en nuestro sitio de Internet. Con una conexión estándar de Internet a través de un proveedor de servicio Internet u otros proveedores (por ejemplo, America on Line) conéctese a nuestro sitio en la siguiente dirección: <http://www.BlaupunktUSA.com>. En este sitio le ofrecemos información técnica sobre diseño del sistema, integración al vehículo, guías sobre los productos más apropiados a su vehículo, hasta donde es posible, y una extensa información sobre diseño de altavoces y su instalación. Para la persona que quiere aventurarse más allá, le ofrecemos un programa de computadora denominado "BlauBox" que le ayuda en el diseño de cajas de subwoofer. Este programa es GRATIS para bajarlo a su computadora y usarlo. También lo conectamos a otros sitios de Internet que proporcionan conocimientos teóricos adicionales y apoyo técnico para el usuario y para aquellos interesados técnicamente en estos temas.



OBRIGADO POR ESCOLHER BLAUPUNKT!

Parabéns! Você agora é o proprietário de um excepcional amplificador de áudio para carro idealizado pelos entusiastas de áudio da Blaupunkt. O nosso pessoal técnico dedicou um tempo considerável aperfeiçoando os nossos amplificadores da série PCA afim de introduzir um ótimo som ao consumidor e a um preço abordável. Com estes produtos o nosso foco é no desempenho sonoro mas equilibrado com um desenho durável e instalação flexível.

Nós lhe oferecemos não só um ótimo produto mas também um manual de assistência ao proprietário. Este manual pode ser usado como uma referência para o ensino devido às suas explicações breves, mas informativas, a respeito do desenho de amplificadores e sistemas. Nós também estamos muito interessados para que o comprador-consumidor final utilize as técnicas de instalação adequadas para a obtenção do melhor desempenho possível dos seus novos produtos de áudio. O MAIS importante para nós é o que diz respeito à segurança e ao processo de instalação. Já que os nossos representantes da Blaupunkt possuem as ferramentas e a experiência para uma instalação aperfeiçoada e segura, nós recomendamos sempre que eles façam a integração final do veículo. Mas, caso você decida instalar pessoalmente estes produtos, por favor tome o seu tempo para ler este manual completamente e siga todas as precauções.

CARACTERÍSTICAS E VANTAGENS DO AMPLIFICADOR PCA

Existe uma constante exigência de fazer com que os amplificadores de níveis de entrada "joguem nas grandes ligas" partindo porém de um preço baixo. Muitos raramente o conseguem.... até agora.

Designs de Classe AB sólido de Rock asseguram um som "mesmo à sua frente" com pouco receio no que diz respeito a fiabilidade ou desempenho. Os diferentes designs da linha de amplificadores PCA e a sua espectacular frequência de entrada e flexibilidade de configuração de ganho, permitem praticamente qualquer configuração de sistema. Uma grande potência e os cabos das colunas asseguram que toda a potência a entrar sai com o melhor som possível.

No caso de algo correr mal durante a instalação, não tenha receio. A protecção contra curtos-circuitos abrange os curtos-circuitos de saída e curtos-circuitos de ligação à terra ou de 12 volts e um indicador luminoso de segurança "PROTECT" (proteger) avisa-o da ocorrência dessa situação. Paz de espírito e grande potência a baixos preços... não precisa de procurar mais.

- Watts RMS reais. Não precisa de watts "fantasmas". Este são os verdadeiros num grande amplificador de modo que não é preciso exagerar – ele faz o que diz que faz.
- Designs de Classe AB reforçados com fases de saída reforçadas asseguram o desempenho sólido e fiabilidade.
- Dissipadores de calor grandes para assegurar uma adequada dissipação do calor independentemente da carga (e também têm um aspecto espectacular).
- Terminais de colunas e de alimentação de tamanho gigante e revestidas a ouro para ligações fiáveis e de baixa resistência.
- LED de protecção para aviso no caso de o aparelho se desligar devido a problemas de instalação.
- Vasta gama de tensões de entrada de 0,3 a 6,0Vrms.
- Definições de frequência de desvio de variação contínua.
- Saída estável de 2 ohms (modo sem derivação)



MEDIDAS DE SEGURANÇA

Nós sempre recomendamos que você faça instalar por profissionais os seus amplificadores Blaupunkt, mas o processo de instalação geralmente é tão fácil que o consumidor regular pode consegui-lo com pouca dificuldade. Indiferentemente da pessoa a fazer a instalação, você deve assegurar-se de rever os seguintes pontos antes de proceder com a instalação:

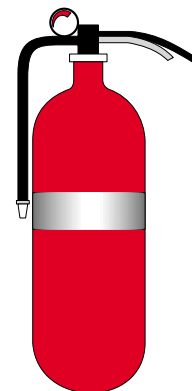


- **LEIA O MANUAL!** Compreensão do produto e limitações de instalação antes de levantar uma chave de fenda.
- **USE ÓCULOS DE SEGURANÇA O TEMPO TODO** - Fragmentos volantes são sempre perigosos.
- **PROTEJA O VEÍCULO** - Desligue sempre o cabo negativo da bateria antes de começar qualquer tipo de trabalho de instalação. Isto evita um possível curto-circuito elétrico de alta corrente (potencialidade de fogo).
- **CALOR** - Mantenha todos os componentes de áudio fora da proximidade de componentes quentes do veículo que se aquecem depois de um certo tempo, tais como mangueiras, fios de alta corrente e componentes do sistema de frenagem.
- **TOME O SEU TEMPO** - Apressando-se para terminar uma instalação quase sempre acaba com problemas.
- **NÃO ESCUTE A NÍVEIS ALTOS DE SOM POR UM LONGO PERÍODO DE TEMPO** - estes amplificadores, usados com alto-falantes de alta eficiência de QUALQUER fabricante, tem o potencial de causar surdez permanente depois de escutar a níveis de volume máximo durante várias horas.

ADVERTÊNCIAS PARA A INSTALAÇÃO!

Antes de desmontar o seu lindo carro novo você precisa de alguns conhecimentos básicos para a instalação e a habilidade com ferramentas comuns manuais e elétricas. Seguindo as dicas básicas para a instalação e as advertências se evitarão danos possíveis ao veículo assim como possibilidades de fogo.

- **NOVAMENTE... LEIA O MANUAL!** Há muita informação útil neste manual que lhe economizará tempo e evitará problemas mais tarde.
- **CUBRA AS ÁREAS DE TRABALHO NO VEÍCULO** - Use proteções de pára-lama ou cobertores para proteger contra arranhões ou batidas as áreas de trabalho.
- **DESLIGUE O FIO (-) DA BATERIA** - Nada de faíscas ou fogo por favor!
- **“REVEJA” A INSTALAÇÃO** - Antes de usar qualquer ferramenta ou componentes móveis do veículo, tome cinco minutos para rever as intenções de instalação (p. ex., verifique se um amplificador caberá numa área do carro antes de arrancar fora todo o interior).
- **“REVEJA” O VEÍCULO** - Antes de fazer qualquer buraco ou cortar qualquer superfície, assegure-se que não há tubos de carburante ou hidráulicos atrás da superfície. Assegure-se também que não haja fios diretamente atrás ou perto da área de montagem desejada (lembre-se...parafusos podem às vezes ultrapassar de 1 a 2 polegadas atrás da superfície de montagem).
- **ASSEGURE-SE DE UM ENCAIXE PERFEITO** - Antes de cortar ou furar, verifique se o amplificador caberá no lugar desejado. Verifique o espaço em volta das barras de torção na parte de trás ou outros elementos estruturais.
- **CADA CARRO É MONTADO DE MANEIRA DIFERENTE** - Todo fabricante de automóveis utiliza técnicas de montagem diferentes. Tome cuidado ao retirar/modificar todos os painéis de acabamento e superfícies de montagem já que muitas vezes eles usam parafusos ou prendedores a pressão especiais que são difíceis de substituir se se perdem ou quebram.
- **TENHA CUIDADO COM O ROTEIRO DOS CABOS** - Ao fazer o roteiro dos cabos do áudio, assegure-se que os cabos RCA e dos alto-falantes sempre que possível, tenham um roteiro estabelecido longe das linhas de força de altas correntes para o amplificador do áudio e longe das linhas do sistema do veículo. Isto ajudará a prevenir a insinuação de ruídos no sistema de áudio e também a evitar danos possíveis à fiação do veículo.
- **TENHA CUIDADO COM TODAS AS CONEXÕES** - Ao fazer conexões, assegure-se que cada conexão esteja feita com cuidado e bem presa. Siga cuidadosamente todas as marcações de polaridade para assegurar um desempenho final correto.
- **CUIDADO - TANQUES DE GASOLINA E TUBOS DE GASOLINA ESTÃO AGORA LOCALIZADOS DIRETAMENTE EMBAIXO DA SEÇÃO TRASEIRA EM UMA GRANDE PARTE DOS CARROS - VERIFIQUE SE HÁ ESPAÇO SUFICIENTE ANTES DE CONSIDERAR UM TAL LUGAR PARA A MONTAGEM!**

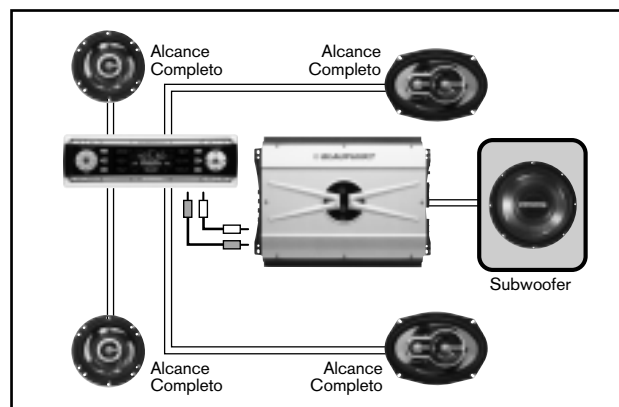


PLANEJAMENTO DO SISTEMA

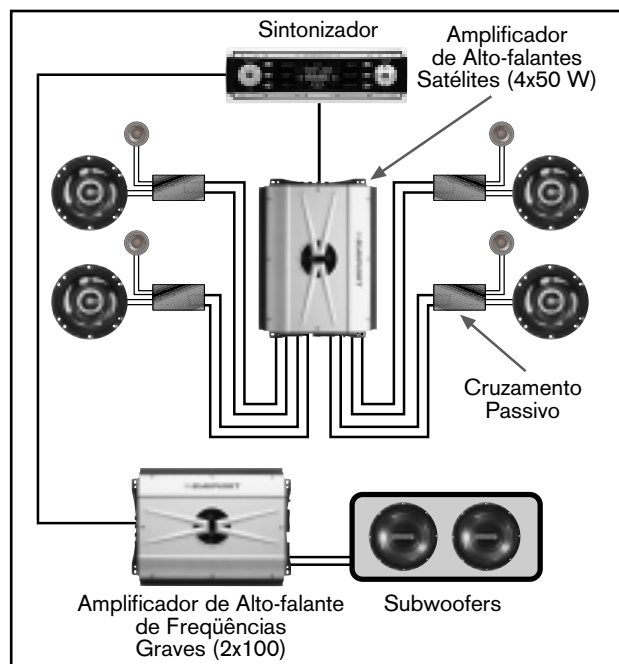
Antes de fazer a ligação de um sistema de áudio que talvez não atinja a qualidade de som que você deseja, assegure-se de escolher um conceito de sistema que se adapta aos seus requerimentos de escuta. Sistemas básicos, como um rádio de 4x20 watts internos com 4 alto-falantes coaxiais, são adequados para muitos ouvintes. Porém, quando você quer realmente “sentir” a música, você vai precisar de algum tipo de combinação de amplificador/alto-falantes de frequências graves. Embora muita gente se precipite para adicionar um amplificador para os alto-falantes coaxiais traseiros, geralmente é melhor escolher um sistema de amplificador/alto-falantes de frequências graves para suplementar o existente sistema de 4 alto-falantes conforme ilustrado no desenho adjacente. Este tipo de sistema proporciona uma melhora surpreendente na qualidade do som devido ao aumento geralmente dramático da resposta de graves.

O próximo aumento dramático de desempenho é com um sistema de “canais múltiplos” que oferece um alcance mais dinâmico dos médios e altos devido a uma potência maior e mais resposta de graves devida aos múltiplos woofers e/ou mais potência. Mas, com um tal sistema, a reprodução de estéreo e experiência geral de escuta normalmente se torna muito mais real devido à melhor qualidade tonal dos alto-falantes de alcance médio e dos tweeters e também melhor colocação.

Para construir um tal sistema porém, resulta em uma maior complexidade por causa do acréscimo de cruzamentos passivos ou ativos que levam tempo para instalar e que podem causar ruído no sistema devido à probabilidade de captar sinal de ruído. Os resultados de tal sistema porém, podem ser bastante agradáveis.



Sistema suplementar de frequências graves



Sistema de canais múltiplos de alto desempenho

FERRAMENTAS DE INSTALAÇÃO

Para a maioria das instalações, ferramentas manuais simples são suficientes para instalar um amplificador opcional. Dependendo dos lugares de montagem usados, você precisará de ferramentas elétricas para furar e cortar plásticos e metais. Uma boa lista inicial está resumida logo abaixo:

- Fita métrica e régua
- Caneta para marcar e punção
- Chave de fenda e chave de fenda Phillips (tamanhos pequeno e médio)
- Tiras para feixes de fios de náilon
- Alicates: de aperto com mola e de bico fino correntes
- Barra de “pé-de-cabra” de empenho fraco para retirar o acabamento da porta
- Cisão ou ferramenta de cortar para metal de calibre fino e médio.
- Cortador de arame, descascador de fio, fita isolante, alicate de achatar e terminais de aperto.
- Furadeira com brocas de tamanhos apropriados



FIÇÃO DO VEÍCULO

INSTALAÇÃO DOS FUSÍVEIS NO VEÍCULO

Para propósitos de segurança, um fusível de alta capacidade (ou disjuntor) TEM que ser instalado diretamente na bateria e em linha com o(s) amplificador(es) para evitar danos ao veículo em caso que inadvertidamente houvesse um curto-circuito da bateria causado por contato com o chassi do carro. A tabela à direita indica a capacidade recomendada do fusível principal para um sistema de áudio comum com os níveis de potência de saída "rms" especificados.

TABELA DE CALIBRE DOS FIOS PARA ALTO-FALANTES (Tamanho de Fusível para a Potência Total do Sistema de Amplificadores em Watts "rms")				
	100 W	200 W	500 W	1000 W
Capacidade de Fusível (em amperes)	20 A	30 A	50 A	100 A

FIOS ELÉTRICOS

A maioria dos veículos fabricados desde 1990 possui uma capacidade de corrente adequada para o seu amplificador. Com exceção dos sistemas acima de uns 500 W rms, o sistema de carga que vem da fábrica e a bateria deveriam facilmente suportá-lo se este for corretamente instalado. O tamanho apropriado do fio tem que ser escolhido para garantir um suprimento de corrente adequado ao amplificador. A grossura de fio (calibre) dos cabos tem que aumentar em tamanho para sistemas de potência mais alta. (Tamanhos maiores de fios do que os especificados são geralmente uma perda de tempo e de dinheiro já que não oferecem nenhuma melhora de desempenho.)

O diâmetro do fio tem que aumentar (número de calibre menor) para sistemas de potência mais alta. Para comprimentos longos de fio o diâmetro do fio também tem que aumentar. Os mencionados tamanhos dos fios permitem uma queda máxima de 0,5 volts CC no comprimento do fio especificado o que é inaudível ao ouvinte comum.

TABELA DE FIOS ELÉTRICOS E DE ATERRAMENTO (Calibre do Fio em Watts "rms" para o Sistema Total)				
COMPRIMENTO DE FIO	100 W	200 W	500 W	1000 W
5 ft. / 1.5 m	12	10	8	4
10 ft. / 3.0 m	12	10	8	4
15 ft. / 4.5 m	10	8	6	2
20 ft. / 6.0 m	10	8	6	2
25 ft. / 7.5 m	10	8	4	0 or 00

FIOS PARA OS ALTO-FALANTES

Do mesmo modo como com os fios elétricos, a grossura dos fios para os alto-falantes (calibre) varia conforme a força requerida e o comprimento do fio. A tabela para fios de alto-falantes mostra a grossura de fio mínima recomendada para um único canal de saída de áudio acionando um alto-falante a uma certa distância, com um máximo de perda de potência de 0,5 dB, o limiar de audibilidade. (Tamanhos maiores de fios do que os especificados são geralmente uma perda de tempo e de dinheiro já que não oferecem nenhuma melhora de desempenho.)

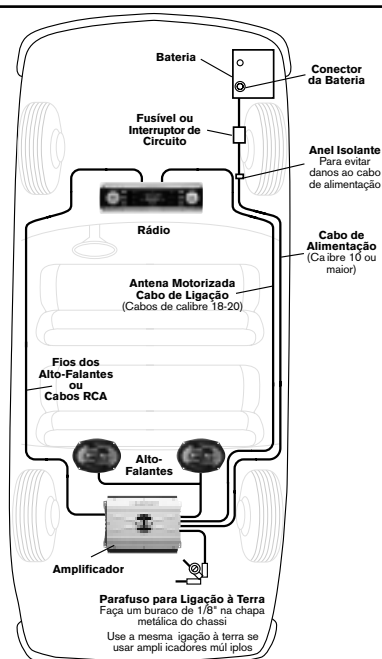
TABELA DE CALIBRE DOS FIOS PARA ALTO-FALANTES (Tamanho de Fusível para a Potência Total do Sistema de Amplificadores em Watts "rms")				
COMPRIMENTO DE FIO	20 W	50 W	100 W	200 W
5 ft. / 1.5 m	18	16	16	16
10 ft. / 3.0 m	18	16	16	16
15 ft. / 4.5 m	16	16	16	14
20 ft. / 6.0 m	16	16	16	14
25 ft. / 7.5 m	16	16	14	12

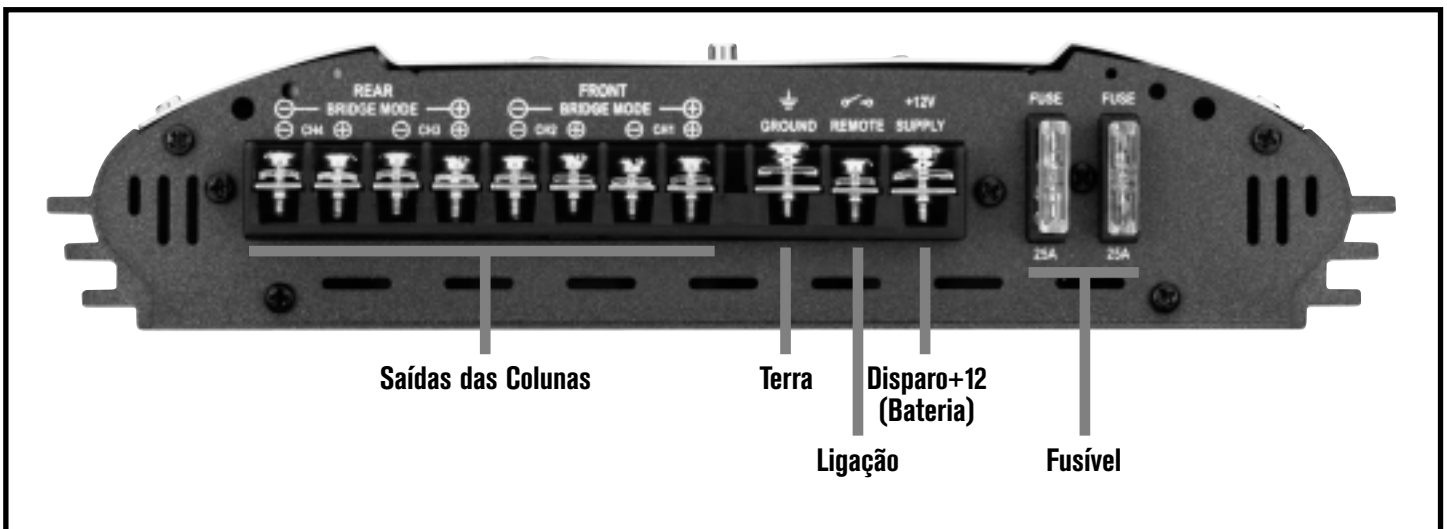
LIGAÇÕES ELÉTRICAS FINAIS DO VEÍCULO

Os requerimentos de corrente para um sistema de áudio atualizado exigem que uma linha de força dedicada corra do amplificador diretamente à bateria do veículo. Esta linha NÃO deve ser ligada ao painel de fusíveis do veículo mas diretamente à bateria. NÃO ligue tampouco ao alternador. TEM que ter um fusível instalado na bateria com amperagem adequada conforme indicado na tabela acima.

Quanto à ligação final de sinal, certifique-se de passar os cabos do áudio ao longo do carro em oposto às linhas elétricas afim de evitar de captar ruído das linhas. Tente também, de passar todos os cabos de áudio longe de origens de ruído como computadores do motor e computadores de freios ABS.

Uma apropriada ligação à terra é importante para assegurar uma circulação de corrente adequada. Certifique-se de remover toda a pintura da superfície raspando-a para assegurar uma sólida conexão elétrica.





CONEXÃO DE FORÇA:

TERRA – Esta é a conexão de terra de alta corrente ao chassi do carro. Deve ser fixado à uma conexão limpa no veículo capaz de suportar cargas de alta corrente. Não deve exceder 1 metro de comprimento.

+12v – Uma linha de alta corrente ligada diretamente da bateria é altamente recomendável para garantir corrente e voltagem adequadas. Esta linha DEVE ser protegida por um fusível dedicado do mesmo tipo e este fusível deve ser localizado imediatamente próximo à fonte de força. Este fusível em série é usado para proteger o veículo em caso de curto circuito com o chassi.

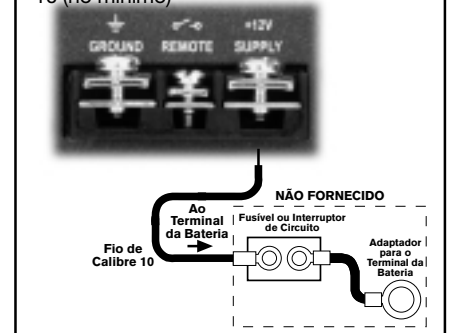
TRIGGER – Esta linha sinaliza ao amplificador para que ligue e é comutada remotamente do rádio que normalmente fornece uma saída de "trigger" para amplificadores. Esta linha deve ir para +12V para ligar o amplificador. Se esta linha não estiver disponível, utilize a linha de força da antena para ligar o amplificador, que está disponível na maioria dos rádios.

FUSÍVEL – Este fusível é apenas para situações catastróficas caso o amplificador comece a se destruir ou se a quantidade enorme de corrente esteja sendo requerida pelo amplificador além do limite de projeto. Apesar de que um outro fusível tenha que ser instalado em série com a linha de alta voltagem da bateria, este fusível montado no amplificador DEVE permanecer no circuito para proteger o amplificador.

SAÍDA DO AUTOFALANTE – O amplificador é conectado à alto-falantes de impedância apropriada através desses contatos. É IMPERATIVO que esses contatos NÃO sejam conectados ou toquem o chassi do veículo de forma alguma, caso ocorra o amplificador será danificado. O contatos (+) e (-) do amplificador não são interconectados de forma alguma entre si. Além disso, NENHUM dos contatos podem tocar um ao outro, tocar o terra ou tocar a linha de +12V ou o amplificador ou veículo podem ser danificados.

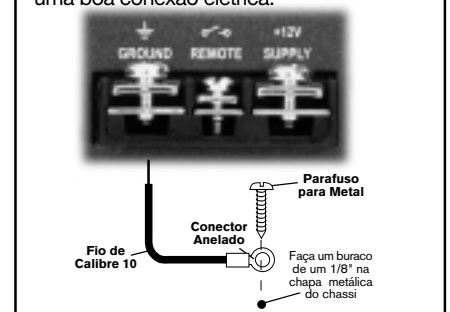
Terminal de força (+12 V)

Conecte diretamente ao terminal + da bateria do veículo com um fio de calibre 10 (no mínimo)



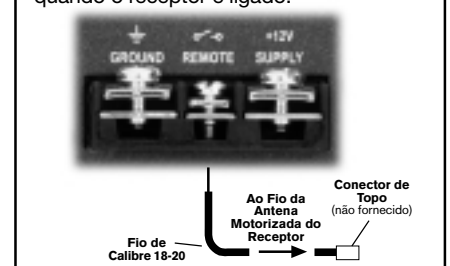
Terminal Terra \perp

Faça a ligação à terra num bom ponto do chassi. A ligação à terra deve ser limpa, sobre metal sem pintura para proporcionar uma boa conexão elétrica.

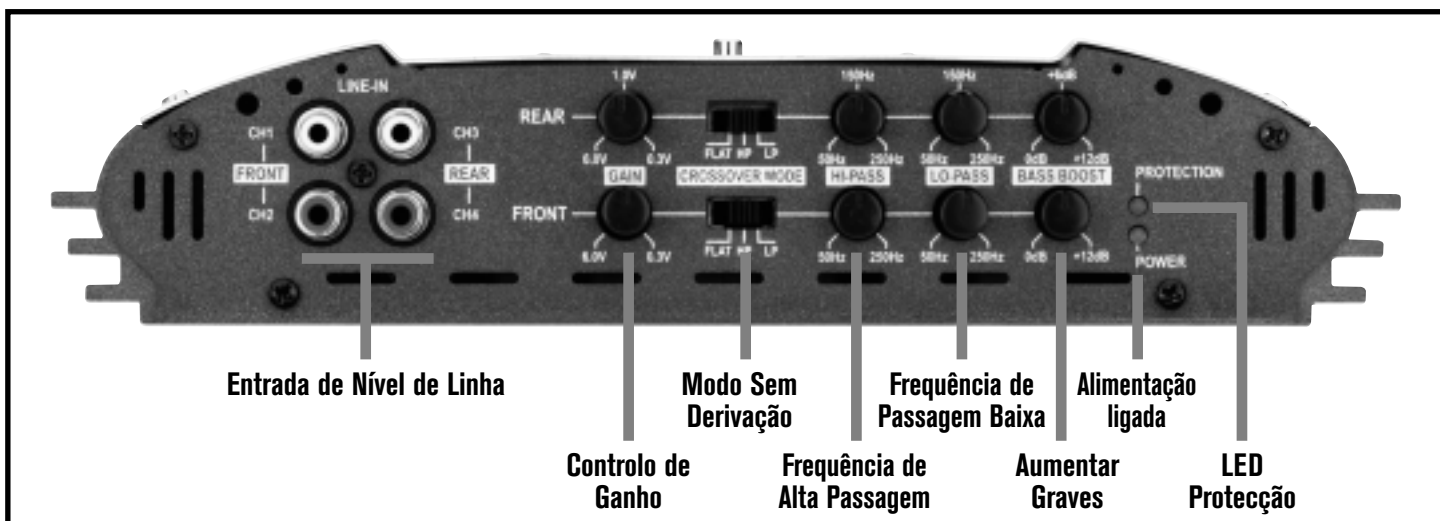


Terminal do Remoto \bullet

Conecte o fio da antena motorizada do rádio desde o receptor ao terminal do amplificador. Isto ativa o amplificador quando o receptor é ligado.



CONEXÕES ELÉTRICAS E SAÍDAS DOS ALTO-FALANTES



ENTRADA DE LINHA DE NÍVEL – As entradas mais comumente utilizadas no mercado são entradas de linha de nível tipo RCA. Essas entradas podem suportar até aproximadamente 6 V rms sem sobrecarregar o amplificador. Essas altas voltagens são raramente encontradas em unidades de cabeça de áudio sendo que este é um valor muito confortável mas, se deve ser utilizado para controlar o amplificador diretamente dos contatos de nível do alto-falante, utilize o adaptador "High Level Adapter" fornecido para conectar ao amplificador.

LED DE FORÇA LIGADA – Esta luz se acende quando o amplificador recebe do rádio o sinal de +12V para ligar. Se o amplificador está corretamente conectado pelos fios, mas a luz não liga, deve haver um curto circuito do qual o amplificador está se protegendo.

LED DE PROTECÇÃO – Esta luz acende-se quando amplificador registra um problema grave, como o caso de um curto-circuito numa coluna.

AMPLIFICAÇÃO DE BAIXOS – Este controle oferece baixos adicionais na área dos 45Hz para oferecer uma sensação mais forte dos baixos mais inferiores. Quando ligado, isto irá permitir que o amplificador distorça o som com mais facilidade, e o ouvinte deve estar ciente disso.

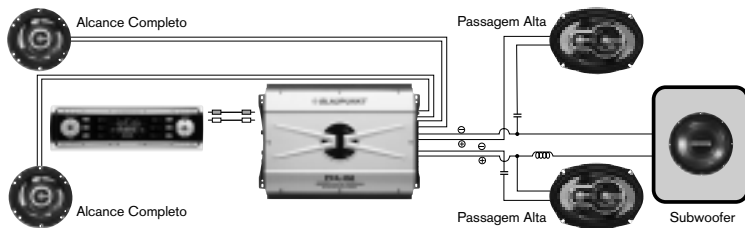
CONTROLE DE GANHO – O controle de ganho permite uma faixa de 0.3-6Volts de entrada. Isto significa que caso a ajuste seja 0.3V, necessita-se 0.3Volts para operar o amplificador na máxima potência de saída. (Um ajuste muito baixo permite que o amplificador seja facilmente descontrolado estando mais sujeito à ruído de forma que uma posição média é altamente recomendável para a maioria dos rádios.)

FREQÜÊNCIA PASSA-BAIXO – Se o seletor está na posição "LP" o amplificador passa apenas som de baixa freqüência. O limite superior deste som é ajustado através desse controle. Para baixos, um valor pouco abaixo de 100Hz é normalmente melhor.

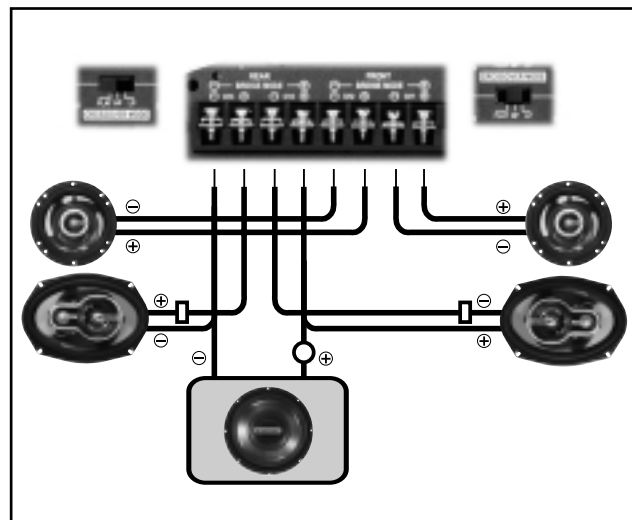
FREQÜÊNCIA PASSA-ALTO – Se o seletor está na posição "HP" o amplificador passa apenas sons de freqüências médias e alta. O limite inferior para este som é ajustado através desse controle. Um ajuste comum é pouco acima de 100Hz.

MODO CROSSOVER - Dependendo do projeto do sistema escolhido, necessita-se ajustar o amplificador no " modo" apropriado, sendo ele LP, Fullrange, ou HP. Os ajustes da freqüência de passa-baixo e de -passa-alto são explicados acima. O ajuste "full-range " permite simplesmente que o amplificador passe todas as freqüências de áudio sem nenhum tipo da aplicação do filtro do cruzamento. (isto é comum com do " alto-falantes coaxiais fullrange de 6x9 para o exemplo).

SISTEMA DE CONFIGURAÇÃO No 1



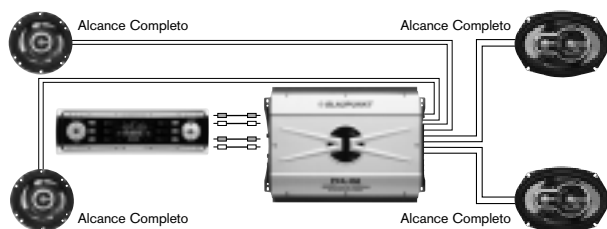
Combinação de 5 canais (2 canais de Passagem Alta + 3 canais passivos de Modalidades Múltiplas)



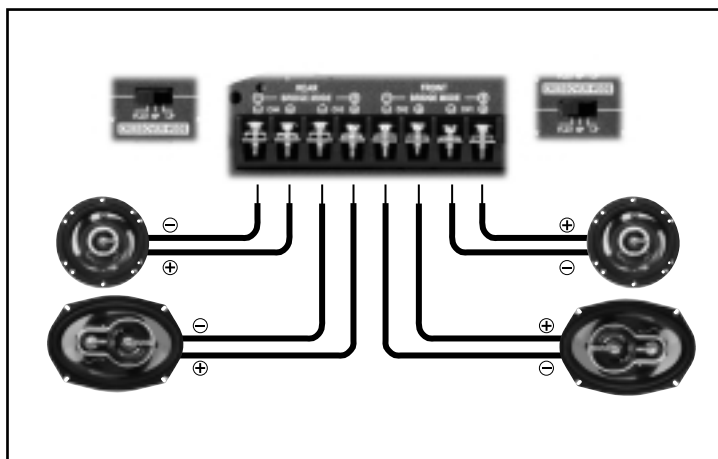
O sistema de modalidades múltiplas é um sistema de satélite/sistema de alto-falantes de frequências graves para "pobres". Este amplificador é capaz de ativar alto-falantes no modo estéreo e ao mesmo tempo ativar as frequências baixas de um designado alto-falante de frequências graves. Inserindo indutores (bobinas) e capacitores, o resultado é uma solução barata para gerar um sistema de 5 canais com um sistema de 4 canais de amplificador.

Usando componentes passivos (bobinas e capacitores) a instalação é simples e o seu desempenho adequado para a maioria dos ouvintes. Este tipo de sistema não tocará tão bem como um sistema "ativo" por causa da atenuação lenta da resposta de frequência resultando em uma quantidade moderada de sobreposição do espectro sonoro entre os alto-falantes satélites e os de frequências graves. É importante lembrar que embora se atinja um desempenho surpreendentemente agradável, isto é um sistema de meio-termo e NÃO desempenhará tão bem como um designado sistema de 5 canais com cruzamentos eletrônicos.

SISTEMA DE CONFIGURAÇÃO No 2



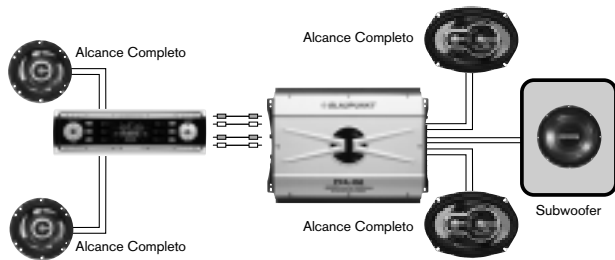
4 Canais de Pleno Alcance, HP



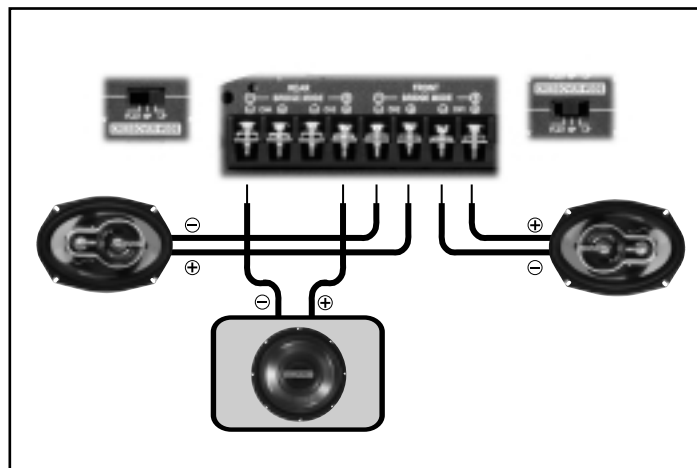
Para muitos ouvintes, somente é necessário um sistema ligeiramente mais potente de intensidade de som e/ou de alcance dinâmico de música sem que por isso o amplificador seja levado à distorção. Adicionando simplesmente potência adicional aos alto-falantes isto pode ser conseguido em muitas instalações. MAS, os alto-falantes tem que ter a capacidade de suportar esta potência adicional sem causar danos.

Estes tipos de instalações são mais comuns para ouvintes que só precisam de sistemas que podem tocar moderadamente alto. Também, este consumidor é geralmente uma pessoa que simplesmente não pode, ou não quer, aceitar amplificadores ou alto-falantes adicionais no veículo. Estes sistemas não terão a capacidade de um desempenho tão bom como sistemas de áudio com alto-falantes e amplificadores adicionais, mas isto é uma solução de meio-termo aceita por estes consumidores.

SISTEMA DE CONFIGURAÇÃO No 3



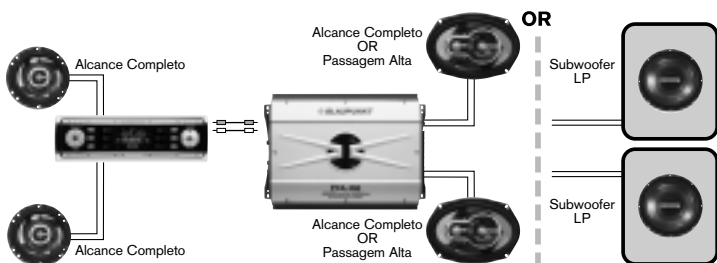
Combinação de 3 Canais (2 canais de Passagem Alta + 1 canais de subwoofer)



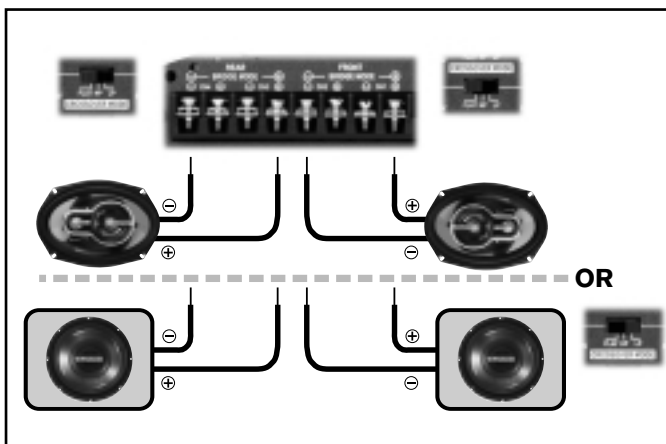
Como nos sistemas de quatro canais segundo acima ilustrado, a compensação nos benefícios e no desempenho são parecidos. Mas, esta configuração do sistema oferece uma vantagem adicional com o cruzamento interno de passagem alta.

Este cruzamento reduz os graves para os alto-falantes da frente deste modo protegendo-os sob cargas intensas de frequência baixa. Um sistema típico com impulsionadores maiores atrás pode então ser forçado mais intensamente sem se preocupar com a potência nos alto-falantes frontais.

SISTEMA DE CONFIGURAÇÃO No 4



Total de 2 Canais (Modo de Alcance, LP, HP)



Esta instalação é muito popular para ouvintes que simplesmente querem aumentar a potência dos alto-falantes traseiros em um carro. O desempenho resultante é geralmente um campo de som total mais alto da parte de trás.

Porém, a maior vantagem deste sistema é a resposta adicional de graves já que o controle de graves do rádio pode ser aumentado sem distorção do amplificador. Um tal sistema não é necessariamente mais alto nos médios e altos mas é capaz de tocar mais alto nas frequências baixas devido a esta potência adicional. Isto resulta numa experiência sonora geral mais rica e mais forte para o ouvinte sem o acréscimo de caixas de frequências graves ou eletrônicas que podem complicar o sistema ou tomar mais lugar. Este tipo de sistema NÃO se iguala ao desempenho de um sistema de alto-falantes de frequências graves mas com certeza será uma melhora bem agradável.

Com filtros de passagem alta, este amplificador para um sistema adicional de alto-falantes de frequências. Os alto-falantes satélites (5 ou 6 po.) sem tanto graves.

GUIA PARA SOLUÇÃO DE PROBLEMAS

Abaixo se encontra um guia básico para solução de problemas para assistir na procura e correção de um problema que possa ocorrer no processo de instalação. Embora longo, este quadro não pode abordar todo problema individual possível mas geralmente os mais comuns.

SINTOMA	CAUSA PROVÁVEL - AÇÃO CORRETIVA
Ausência de força (a luz de indicação de força não está acesa)	<ul style="list-style-type: none"> ■ Verifique as conexões aos +12 volts do amplificador, ligação à terra e linhas distantes. ■ Use um voltímetro para verificar se há voltagens nos terminais do amplificador. ■ Verifique a conexão principal de força na bateria. ■ Verifique o fusível na linha de força na bateria. ■ Desconecte todos os alto-falantes mas não as linhas de força - se então a unidade ligar, provavelmente há um curto-circuito ou a linha do alto-falante está tocando o chassi do veículo.
Há força mas sem som (a luz de indicação de força está ligada)	<ul style="list-style-type: none"> ■ Verifique a conexão de todas as linhas de entrada dos cabos. ■ Desconecte os alto-falantes do amplificador, teste as linhas do alto-falante com um voltímetro digital para verificar se há mais de 2 ohms por canal (modo sem ponte).
Ausência de som de um canal ou do lado inteiro	<ul style="list-style-type: none"> ■ Verifique as posições dos controles do balanço do rádio e do potenciômetro - verifique se estão no centro. ■ Verifique as conexões do alto-falante no amplificador e no alto-falante. ■ Verifique os terminais de entrada para a conexão ao amplificador.
Nível de som muito baixo	<ul style="list-style-type: none"> ■ Verifique se os controles do balanço do rádio e do potenciômetro estão nas posições centrais. ■ Verifique o ajuste do controle de amplificação de entrada do amplificador - ajuste para níveis de saída maiores se necessário (ajustes de amplificação perto de 0,3 volts). ■ O receptor pode ter níveis de voltagem de saída muito baixos - talvez tenha que se usar um "condutor de linha" de aumento de voltagem.
O amplificador se liga e desliga repetidamente (som de botes a motor)	<ul style="list-style-type: none"> ■ Assegure-se que as conexões na bateria estão bem apertadas. ■ Assegure-se que a voltagem da bateria é >11,5 volts CC (12,5-16V com o motor ligado) no amplificador com o motor desligado. ■ Verifique todas as ligações à terra do rádio e do amplificador.
O amplificador se desliga nas passagens altas ou com distorção	<ul style="list-style-type: none"> ■ A fase de entrada está sendo superalimentada - diminua a amplificação de entrada (ajuste a cerca de 4 volts). ■ Assegure-se que a voltagem da bateria é >11,5 volts CC no amplificador com o motor desligado. ■ Verifique todas as ligações à terra do rádio e do amplificador.
O amplificador desempenha bem mas fica muito quente ao toque	<ul style="list-style-type: none"> ■ Verifique que as cargas dos alto-falantes sejam >2 ohms em todos os canais (modo sem ponte). ■ O controle de amplificação tem um ajuste muito alto - abaixe-o apropriadamente (ajuste a cerca de 4,0 volts). ■ Verifique que as cargas dos alto-falantes sejam >2 ohms em todos os canais (modo sem ponte). ■ Assegure-se que o lugar de montagem permite a circulação de ar livre em volta do amplificador. Preferivelmente, o amplificador deveria ser montado com as aletas de cima para baixo para que o calor aumentando possa dissipar-se rapidamente para fora do amplificador.
O amplificador se liga e desliga, pequenas detonações ou ruídos	<ul style="list-style-type: none"> ■ "ligando rapidamente" - desligue a linha de disparo do rádio e ligue e desligue via um fio de ligação direto ao terminal de força. Se o ruído desaparecer, o rádio se liga e desliga muito devagar. Isto é um problema do rádio e só pode ser corrigido com um sistema externo de relé de retardamento para ligar. ■ "Baques" do rádio - desligue as linhas RCA de entrada para o amplificador e ligue/desligue via a linha de disparo do rádio. Se o ruído desaparecer sem as linhas RCA estarem conectadas, o rádio está enviando os estalos através das linhas RCA. Isto é um problema do rádio e só pode ser corrigido com um sistema externo de relé de retardamento para ligar.
Ruídos de crepitação no rádio AM/FM mas não na fita ou CD	<ul style="list-style-type: none"> ■ Certifique-se de que o problema consiste em um "ruído irradiado" colocando um rádio FM portátil perto do motor do carro. Se se detecta ruído, então é um problema do veículo e não do seu sistema. Procure isolar a origem e apropriadamente faça uma blindagem ou use uma rota alternativa. ■ As velas de ignição e fios tem mais do que 3 anos ? Estas podem freqüentemente irradiar ruídos substanciais quando velhas. ■ Assegure-se que o bloco do motor tem uma boa ligação à terra ao chassi. ■ Assegure-se que a capota do compartimento do motor esteja aterrada ao chassi do veículo via uma tira de metal trançada de aterramento.
Ruído de sibilação, com o motor em marcha, muda de tom e volume com a velocidade do motor E varia com o ajuste do controle de volume do rádio (isto é geralmente um problema de instalação do RÁDIO)	<ul style="list-style-type: none"> ■ Verifique se todas as conexões de força e de terra estão limpas no rádio. ■ Redirecione a alimentação do rádio e o terra de modo que se originem das mesmas conexões no amplificador (isto é denominado de aterramento em "comum"). ■ Verifique todas as ligações à terra para certificar-se de que as superfícies estão limpas e que toda a pintura foi raspada e também que estão livres de oxidação acumulada com o tempo. ■ Assegure-se da existência de algum tipo de filtragem de força na parte de trás do rádio. Se não, instale uma.
Ruído de sibilação, com o motor em marcha, muda de tom e volume com a velocidade do motor, MAS NÃO varia com o ajuste do controle de volume do rádio (isto é geralmente um problema de instalação do amplificador)	<ul style="list-style-type: none"> ■ Verifique se as ligações à terra da bateria no chassi estão limpas e apertadas, livres de oxidação, pintura e gordura. ■ Redirecione a alimentação do rádio e o terra de modo que se originem das mesmas conexões no amplificador (isto é denominado de aterramento em "comum"). ■ Desvie de todo o equipamento entre o rádio e o amplificador (p. ex., equalizadores) fazendo a conexão diretamente no rádio. Se o ruído desaparecer, o processador de sinal tem problema. ■ Verifique se há "anéis de ligação à terra" de nível de sinal - desconecte a blindagem externa do cabo RCA em uma das extremidades (p. ex., a extremidade no rádio). Se o ruído desaparecer, modifique os cabos apropriadamente. Há diferenças de voltagem nas ligações à terra dos componentes e estes NÃO podem ser conectados de nenhum outro modo do que com um corte da blindagem ou um "isolador de anel de ligação à terra" externo o qual é um pequeno transformador.

INFORMAÇÃO SOBRE OS LIMITES DA GARANTIA (SÓ PARA OS ESTADOS UNIDOS)

A Robert Bosch Corporation garante os produtos novos de áudio para carros da Blaupunkt que distribui nos Estados Unidos através dos seus representantes Blaupunkt autorizados, ou os que são importados como equipamento original do veículo pelo fabricante de automóveis, de serem isentos de defeitos de material e de fabricação de acordo com o seguinte:

Durante o prazo de doze (12) meses depois da entrega a você, o comprador-consumidor original, nós consertaremos ou à nossa opção substituiremos gratuitamente qualquer produto de áudio de carro que, sob condições normais de uso e serviço, apresentar defeito dos materiais ou de fabricação. Entretanto, esta garantia não cobre despesas resultantes da remoção ou reinstalação de qualquer produto de áudio de carro, quer seja ou não defeituoso, e não cobre produtos não adquiridos de um revendedor Blaupunkt autorizado. Esta garantia está limitada ao comprador-consumidor e não é transferível. Produtos de áudio de carro consertados e de substituição assumirão a identidade do original para o propósito desta garantia e esta garantia não será estendida no que diz respeito a tais produtos.

Para fazer uso desta garantia, entre em contato com a mais próxima oficina de assistência técnica autorizada pela Blaupunkt ou o nosso escritório mais próximo. Para a aceitação da sua reclamação será necessário apresentar o recibo com a data de compra ou outra prova de que o produto está dentro do prazo de validade da garantia. Embrulhe com cuidado a unidade e despache-a com porte pago à oficina de assistência técnica. Para maior informação, escreva para Robert Bosch Corporation, 2800 South 25th Avenue, Broadview, Illinois, 60153, attention Blaupunkt Customer Service Department ou chame o 1-800-266-2528.

Estão especificamente excluídos desta garantia falhas causadas por uso impróprio, negligência, abusos, operação ou instalação inapropriada, queda ou avaria, consertos ou troca de peças não autorizados, ou a não observação das instruções de manutenção ou a não realização das atividades normais de manutenção. As atividades normais de manutenção para produtos de áudio de carro incluem a limpeza e outras atividades menores de manutenção e ajustes, sem porém limitar-se a isto, e estão sublinhadas no manual do proprietário ou são normalmente requeridas para um contínuo funcionamento correto. Também se exclui desta garantia a correção da instalação inapropriada e a eliminação de qualquer interferência eletromagnética externa. Esta garantia enuncia os seus recursos exclusivos com respeito aos produtos cobertos por ela. Não nos responsabilizamos por danos incidentais, conseqüentes, especiais ou por indenizações como conseqüência da venda ou uso de quaisquer produtos Blaupunkt de áudio de carro, quer tal reclamação esteja no contrato ou por agravação. Nenhuma tentativa para alterar, modificar ou emendar esta garantia será efetiva a menos que esteja autorizada por escrito por um representante da Robert Bosch Corporation.

ESTA GARANTIA ESTÁ EM LUGAR DE TODAS AS OUTRAS GARANTIAS OU REPRESENTAÇÕES, EXPRESSAS OU SUBENTENDIDAS, INCLUINDO QUALQUER GARANTIA DE ACORDO COM A LEI, SEJA PARA A COMERCIALIZAÇÃO OU APTIDÃO PARA UM PROPÓSITO EM PARTICULAR OU DE OUTRA MANEIRA E SERÁ EFETIVA SOMENTE PARA O PERÍODO DURANTE O QUAL ESTEJA EM VIGOR ESTA GARANTIA EXPRESSA.

Na eventualidade de que alguma cláusula, ou qualquer parte ou porção desta garantia seja invalidada, nula ou de outra maneira inexecutável, tal ação não afetará a parte restante ou porções desta provisão ou qualquer outra provisão desta.

AVISO AOS PROPRIETÁRIOS DA CALIFÓRNIA: Se o seu produto de áudio de carro precisar de serviços de reparação e não tiver nenhum centro de assistência técnica autorizada razoavelmente perto de você, você pode devolver a unidade defeituosa ao revendedor onde você a adquiriu, ou você pode devolvê-la a qualquer revendedor que vende produtos Blaupunkt de áudio para carros. O revendedor pode, à sua própria opção, substituir, consertar ou reembolsar o preço de aquisição de quaisquer produtos de áudio para carros da Blaupunkt que apresentem defeito sob condições de uso normal. Se o revendedor não consertar, substituir ou reembolsar parcialmente o seu dinheiro, você pode levar para qualquer oficina de reparos o seu produto de áudio para carro da Blaupunkt e esta poderá consertar a sua unidade por conta nossa a menos que o custo de reparo exceda o valor depreciado da unidade, mas antes que o seu produto de áudio para carro seja consertado você deverá entrar em contato com a Blaupunkt para receber a autorização para que isto possa ser feito.

ROBERT BOSCH CORPORATION
BLAUPUNKT CUSTOMER SERVICE
2800 SOUTH 25TH AVENUE
BROADVIEW, IL 60155
TEL: 1-800-266-2528

APOIO TÉCNICO BLAUPUNKT

Estes amplificadores são designados para uma instalação rápida e fácil na maioria dos veículos. Caso você encontre problemas na instalação, nós faremos todos os esforços razoáveis para ajudá-lo, o comprador final ou Técnico de Instalação, a instalar competentemente estes componentes. Antes de chamar-nos, por favor reveja cuidadosamente este manual do proprietário para as respostas às suas questões.

Devido ao espaço de impressão limitado neste manual, nós também oferecemos informações adicionais a respeito da instalação e sistemas no nosso lugar na Internet. Via uma conexão corrente pela Internet através de um Fornecedor Local de Serviços da Internet ou outros provedores (como p. ex., America Online), entre em contato com o nosso lugar na rede no seguinte endereço: <http://www.BlaupunktUSA.com>. Neste lugar nós oferecemos informações técnicas sobre o desenho do sistema, integração do veículo, manuais para adaptações dos produtos em caso possível e uma extensiva informação sobre desenhos e instalação de alto-falantes. Para o construtor mais audacioso, nós também oferecemos o nosso programa "BlauBox" para computador o qual ajuda no desenho de caixas de alto-falantes de frequências graves. Este programa é oferecido GRÁTIS para carregar e usar. Nós também "fazemos ligações" com outros lugares que fornecem teorias adicionais e apoio técnico ao consumidor e ao tecnicamente interessado.



ASSEMBLY & MOUNTING



● BLAUPUNKT

Robert Bosch Corporation, Sales Group
Mobile Communications Division
2800 South 25th Avenue, Broadview, IL 60155
www.BlaupunktUSA.com

Copyright 2003 by the Robert Bosch Corporation
No portion of this work may be reproduced in any form without the written consent of the Robert Bosch Corporation

Printed in China (April, 2003)